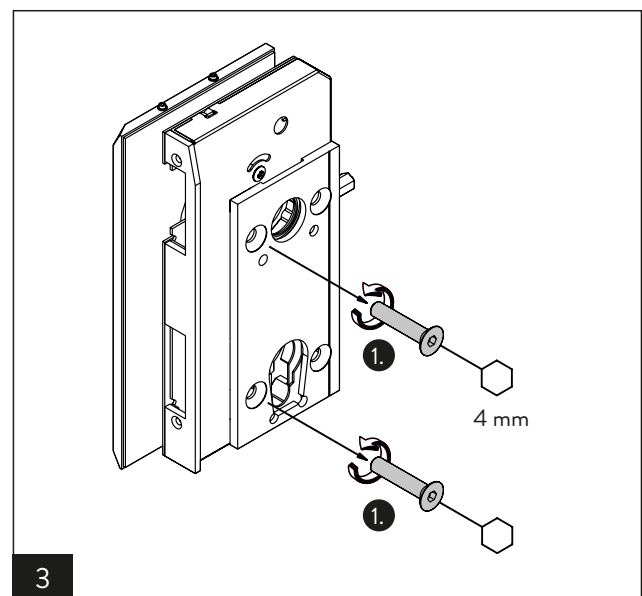
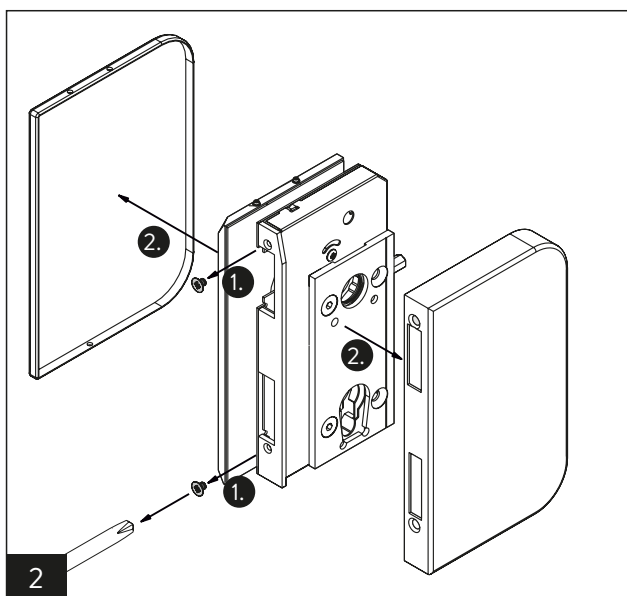
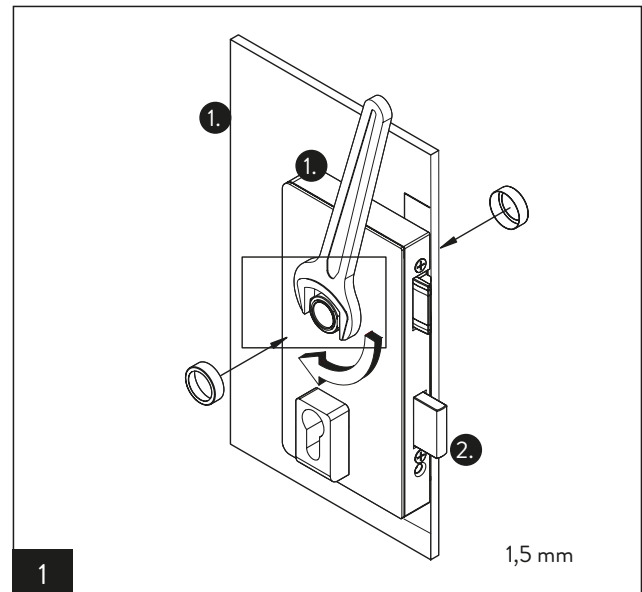
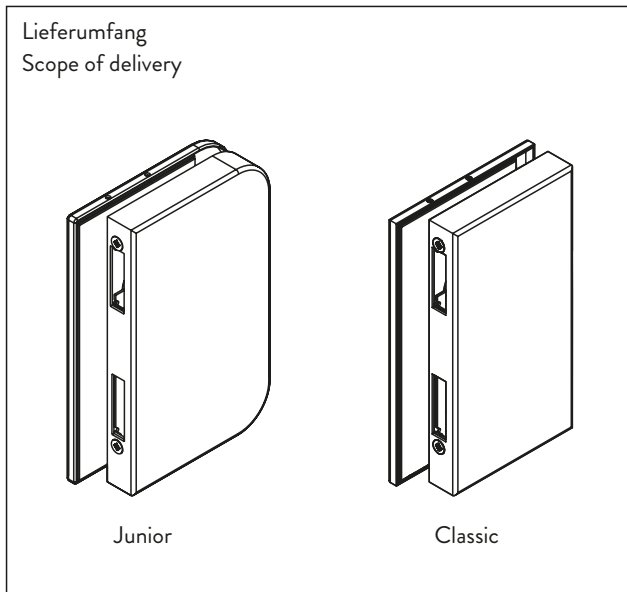


1 Junior & Classic



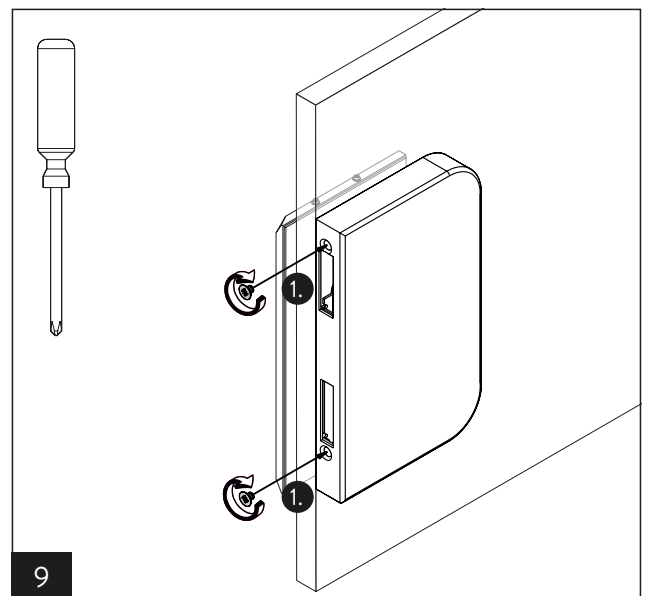
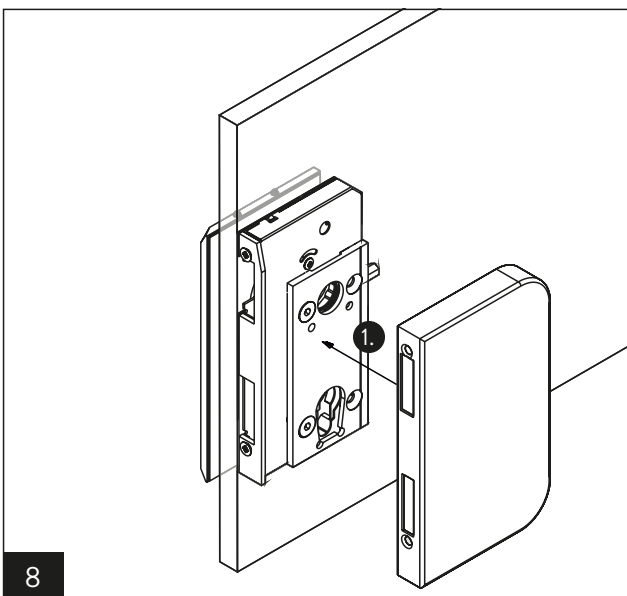
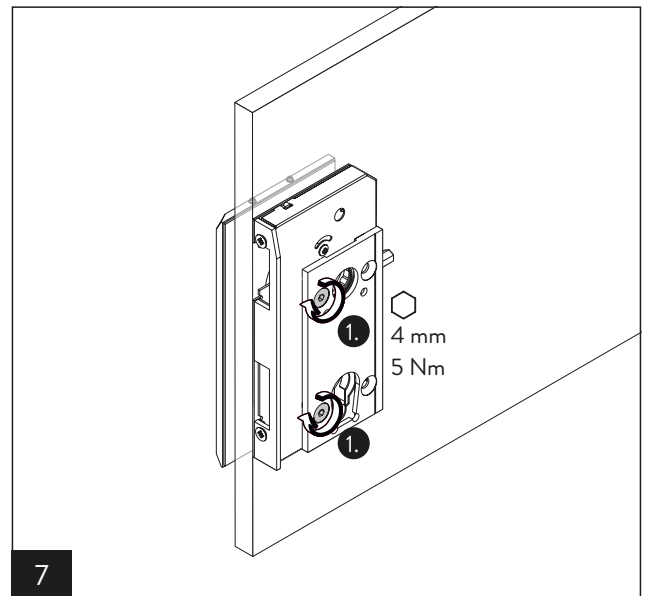
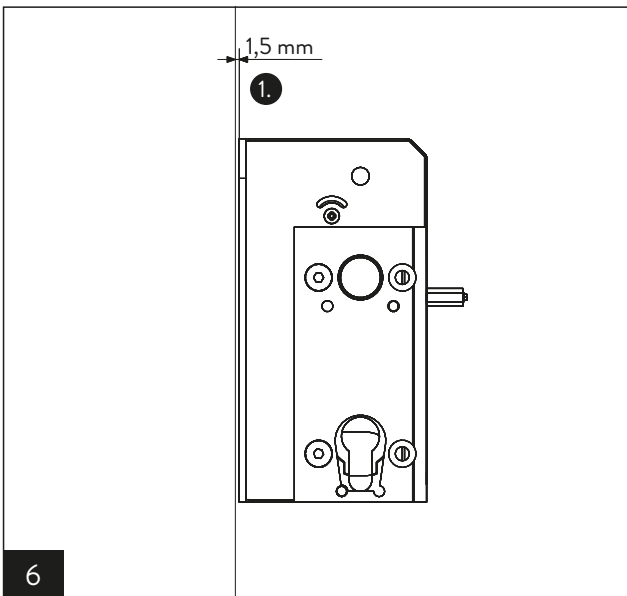
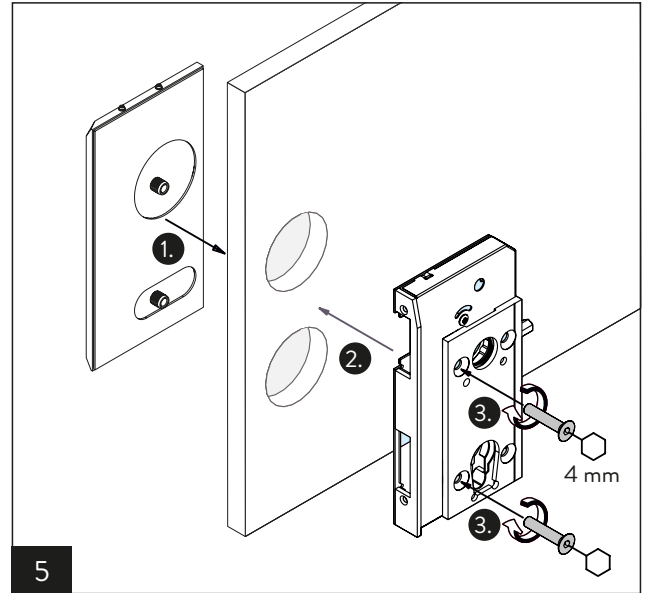
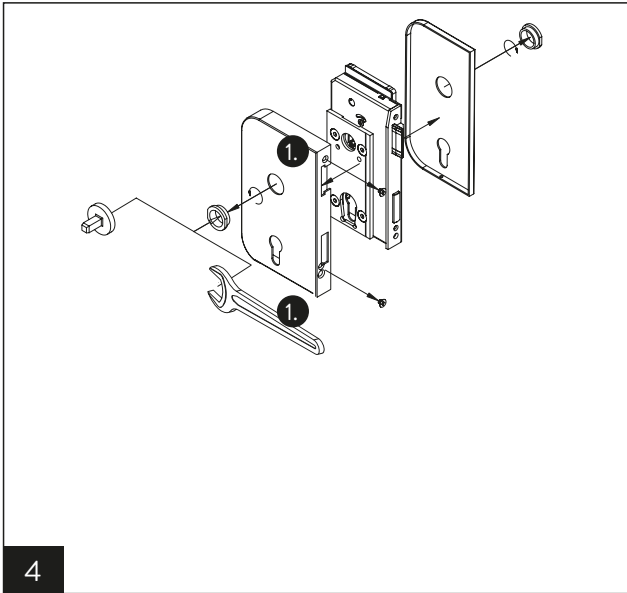
OFFICE Gegenkasten OFFICE Strike-box

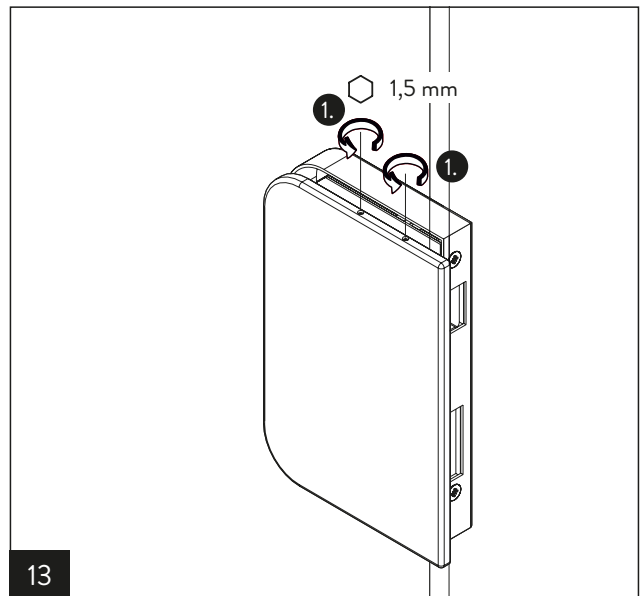
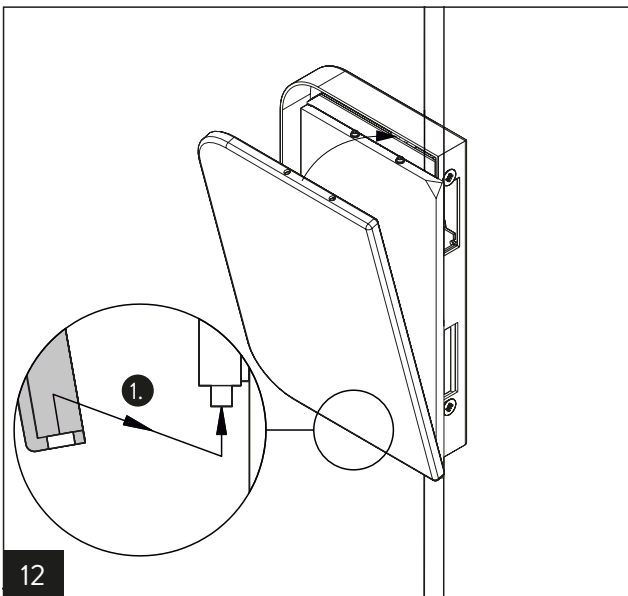
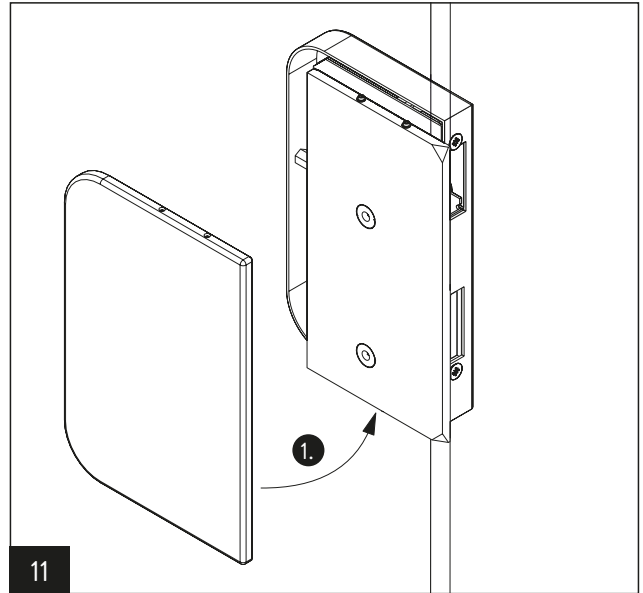
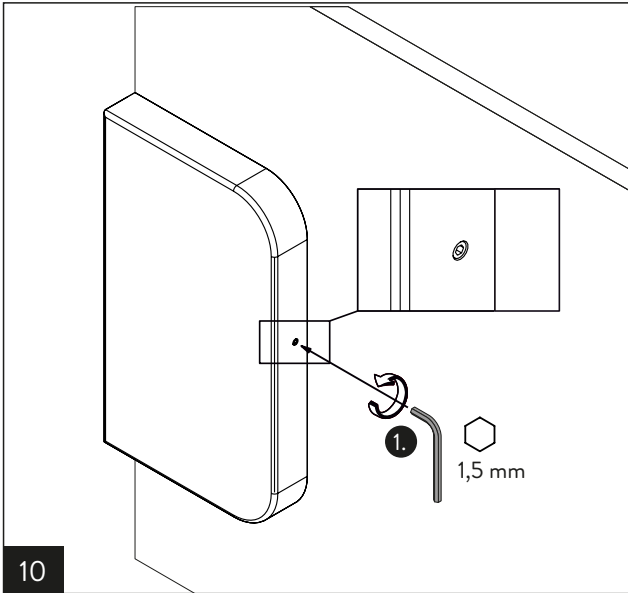
Junior, Classic, Arcos & Mundus

Montageanleitung
Mounting instructions

WN 058925 45532 – 2022-07

DE | EN





2 Mundus & Arcos

