

Moving Details.

Contents

1	About this manual	2
1.1	Information about the manual	2
1.2	Other applicable documents	2
1.3	Target group	2
1.4	Symbols used	2
1.4.1	Safety instructions	2
1.4.2	Further labeling	2
2	Safety	2
2.1	Intended use	2
2.2	Foreseeable misuse	2
3	Product description	2
3.1	Example of a UNIQUIN unit	2
3.2	Parts included	2
3.3	Example of a mounted door closer system	3
3.4	Technical data	3
3.4.1	Clearances	3
3.4.2	Dimensions	3
4	Storage and transport	3
5	Mounting preparation	4
5.1	Tools for mounting	4
5.2	Check mounting conditions	4
5.3	Prepare mounting	4
6	Mounting	5
6.1	Mount screw-on plate and counter-plate	5
6.2	Mount the door closer	6
7	Maintenance and care	6
7.1	Maintenance instructions	6
7.2	Cleaning instructions	6
8	Disassembly and disposal	7
	Link to the installation animation EN (QR Code)	8

Mounting instruction

UNIQUIN

Door Closer System



EN

WN 059547 45532

2023-09 / 013436

1 About this manual

1.1 Information about the manual

This manual describes the mounting of a UNIQUIN door closer system as part of a UNIQUIN partition wall system and provides maintenance and care information.

Further unit components and mounting instructions may be required to complete the UNIQUIN partition wall system's mounting according to the project-related unit drawing, e.g. for the door frame system with hinges and overpanel. The illustrated unit components and configurations are exemplary and do not show every possible mounting situation.

1.2 Other applicable documents

Refer to the following technical documents for the product:

- The project-related unit drawing
- The mounting instructions of all unit components
- The UNIQUIN system manual

1.3 Target group

The target group of these mounting instructions is qualified personnel who have been specially trained in glazing installation.

1.4 Symbols used

1.4.1 Safety instructions

Safety instructions are marked with symbols. The safety instructions are introduced by signal words that express the extent of the hazard, e.g.:



CAUTION

This signal word indicates a situation of potential risk, which could lead to minor or slight injury if not averted.



TIPS AND RECOMMENDATIONS

This signal word indicates useful information for efficient and trouble-free operation.

1.4.2 Further labeling



Step-by-step graphics



Position numbers for parts in diagrams

2 Safety

2.1 Intended use

The product is designed to close a UNIQUIN glass door securely and automatically.

The product may only be mounted with unit components designed by DORMA-Glas for the installation situation and approved according to the project-related unit drawing.

- The product may only be mounted undamaged and in accordance with the requirements of the assembly location.
- The product may only be mounted by qualified personnel who correspond to the defined target group.
- Only toughened safety glass (TSG) or laminated safety glass (LSG) made of TSG may be installed with the product.
- The product is only suitable for indoor use.
- The product is suitable for use in tropical countries.

2.2 Foreseeable misuse

- The product is not suitable for installation outdoors.
- The product is not suitable for installation in the vicinity of showers, saunas, swimming and salt-water bath or rooms in which chemicals (e.g. chlorine) are used.

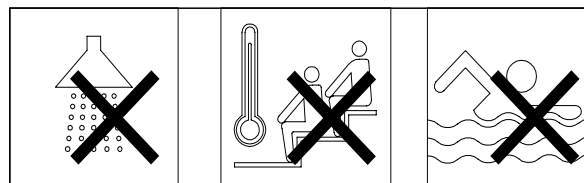


Abb. 1 Not suitable for showers, saunas, baths or salt-water baths

3 Product description

3.1 Example of a UNIQUIN unit

This UNIQUIN unit is an example of a UNIQUIN partition wall system. Further combinations with other unit components, e.g. with an acoustic element, a door closer or a sliding door are possible.

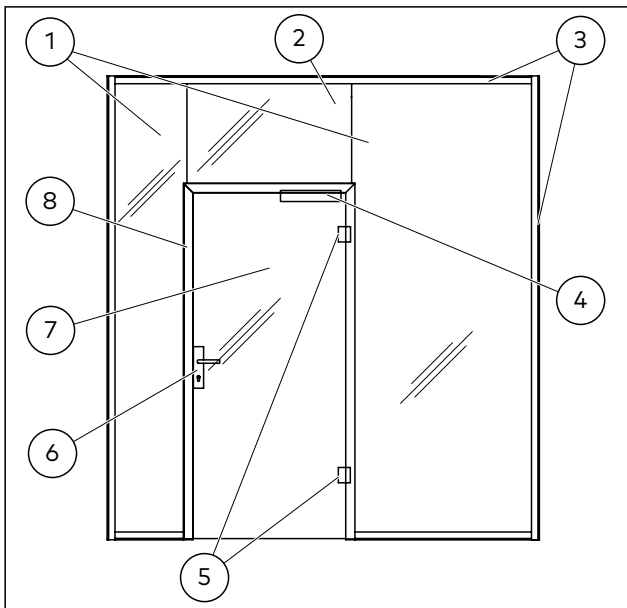


Abb. 2 Example of a UNIQUIN unit

- (1) 1 Side panels
- (2) 2 Overpanel
- (3) 3 Ground profile and cover profile
- (4) 4 Door closer
- (5) 5 Door hinges
- (6) 6 Lock with door handle set
- (7) 7 Glass door
- (8) 8 Door frame system

3.2 Parts included

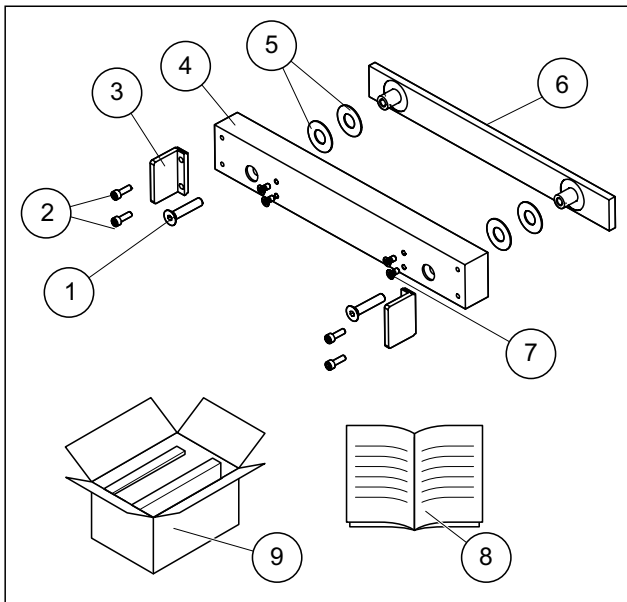


Abb. 3 Parts included for a UNIQUIN door closer system

- (9) 1 2x screws M8x40
- (10) 2 4x screws M5x16
- (11) 3 2x end covers
- (12) 4 Screw-on plate (for the hinge side)
- (13) 5 4x gaskets
- (14) 6 Counter-plate (for the opposite side to the hinge)
- (15) 7 4x screws M5x10
- (16) 8 Mounting instructions
- (17) 9 Door Closer TS 97 with fixing materials and mounting instructions (packed)

3.3 Example of a mounted door closer system

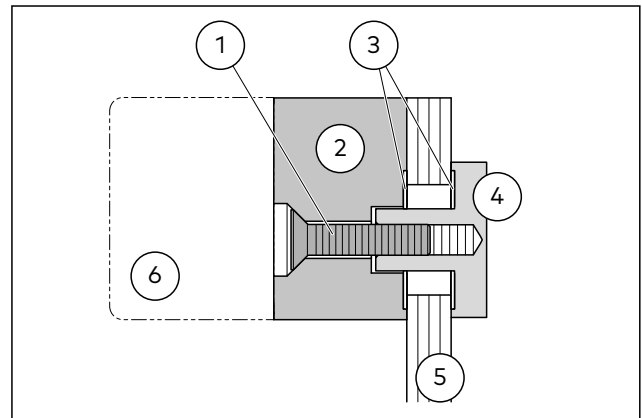


Abb. 4 Example of a mounted door closer system on a door

- (18) 1 2x screws M8x40
- (19) 2 Screw-on plate (hinge side)
- (20) 3 Gaskets
- (21) 4 Counter-plate (opposite side to the hinge)
- (22) 5 Glass door
- (23) 6 Door Closer TS 97

3.4 Technical data

3.4.1 Clearances

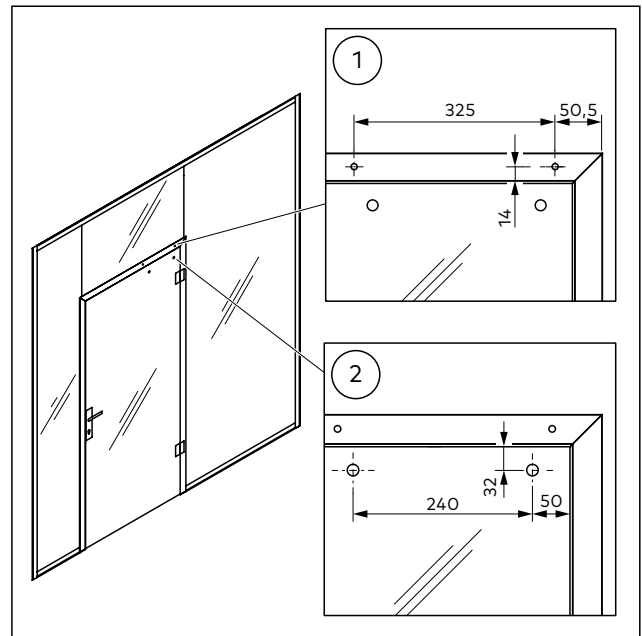


Abb. 5 Clearances for a UNIQUIN door closer system

- (24) 1 Factory-prepared threaded plates on the door frame for screw type M5
- (25) 2 Factory-prepared drill holes in the glass door with a diameter of 24 mm

3.4.2 Dimensions

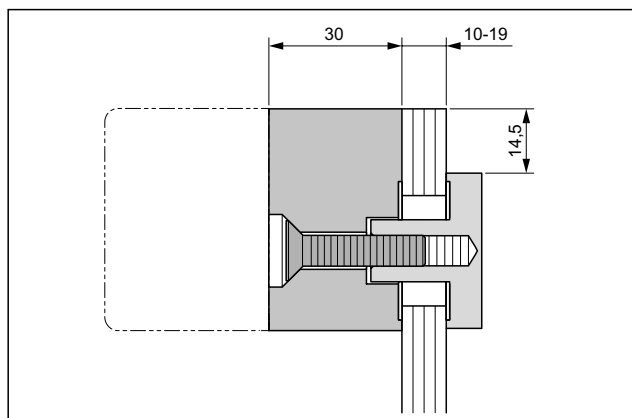


Abb. 6 Dimensions of a mounted door closer system

4 Storage and transport



CAUTION

Risk of crushing and collision due to unsecured components.

Unsecured components can lead to crushing or impact injuries during transport.

- Secure components adequately during transport.



ATTENTION

Risk of damage during transport.

Unsecured components may be damaged during transport.

- Secure components adequately during transport.

5 Mounting preparation

5.1 Tools for mounting

- A screwdriver Torx T25
- A hexagon socket set
- A torque wrench

5.2 Check mounting conditions

Requirement

- The door frame system is mounted.

1. Make sure that the installation situation for the door closer system's mounting is available (Abb. 5).



TIPS AND RECOMMENDATIONS

Screw threads for the door closer cannot be cut into the door frame's cover profile later.

2. Make sure that the opening angle of the glass door is correctly limited according to the installation situation, e.g. by a doorstop.

» **The mounting conditions have been checked.**

5.3 Prepare mounting

1. Remove the brackets from the mounting plate (Abb. 7 and Abb. 8).

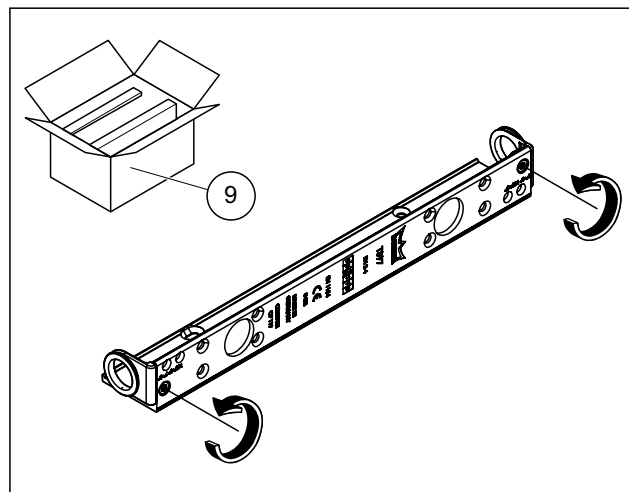


Abb. 7 Unscrew the brackets

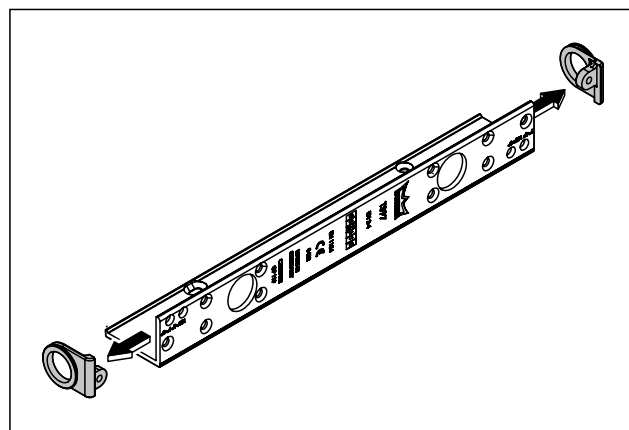


Abb. 8 Disassemble the brackets

2. Screw the end covers to the screw-on plate (Abb. 9).

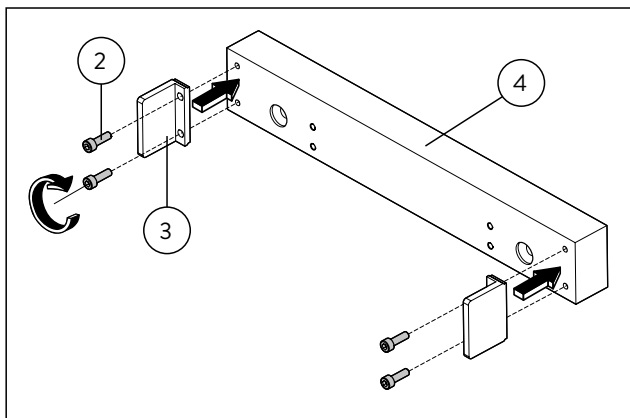


Abb. 9 Mount end covers

6 Mounting



CAUTION

Risk of injury by crushing.

During mounting, high-weight shearing components can cause finger-crushing injuries.

- Wear protective gloves.



CAUTION

Risk of injury from broken glass during mounting.

Incorrect mounting can lead to broken glass and cause injuries.

- Secure the installation site.
- Wear protective clothing.



TIPS AND RECOMMENDATIONS

It is recommended that the mounting sequence of all unit components is strictly followed according to the system manual and mounting instructions of the mounting profile.

1. Install the gaskets as glass protection on the screw-on plate and on the counter-plate (Abb. 10).

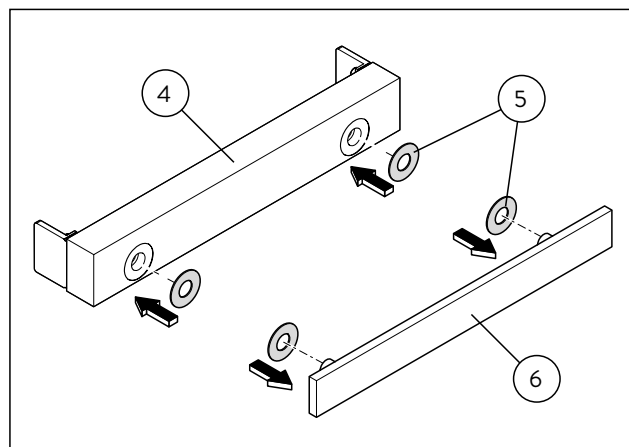


Abb. 10 Install the gaskets as glass protection

2. Attach the screw-on plate on the hinge side (inside) and the counter-plate on the opposite side to the hinge (outside) to the glass door's drill holes (Abb. 11).

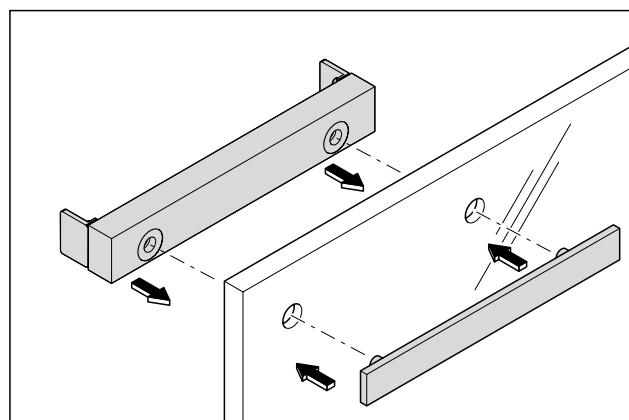


Abb. 11 Attach the screw-on plate and the counter-plate to the drill holes



TIPS AND RECOMMENDATIONS

When mounting the counter-plate, keep within the tolerances (Abb. 6).

6.1 Mount screw-on plate and counter-plate

Requirements

- The mounting preparation is completed.
- The glass door is opened.

- Align the screw-on plate and the counter-plate on the glass door (Abb. 12).

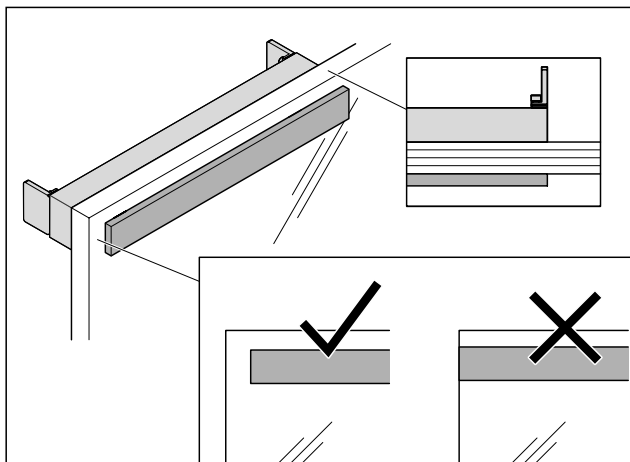


Abb. 12 Align the screw-on plate and the counter-plate on the glass door

- Fix the screw-on plate and the counter-plate to the glass door with a torque of 15 Nm (Abb. 13).

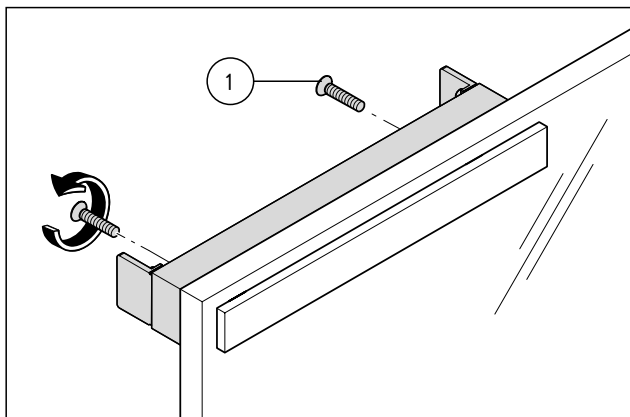


Abb. 13 Fix the screw-on plate and the counter-plate to the glass door

- » **The screw-on plate and the counter-plate are mounted.**

6.2 Mount the door closer

Requirement

- The screw-on plate and the counter-plate are mounted.

- Connect the door closer with the screw-on plate and the door frame according to the enclosed TS 97 mounting instructions (Abb. 14).

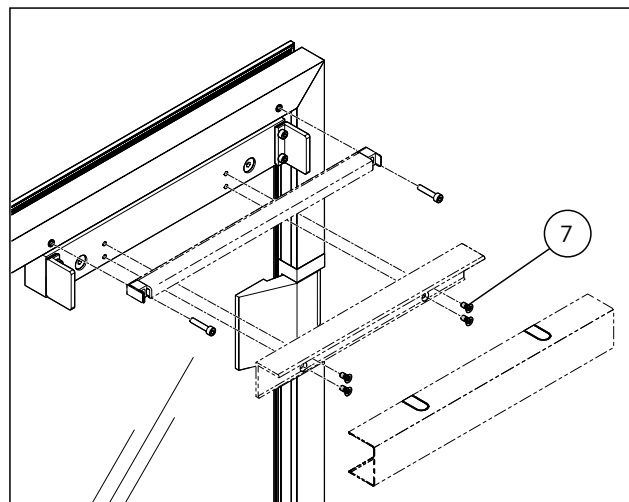


Abb. 14 Mount the door closer on the screw-on plate

- Adjust and operate the door closer according to the mounting instructions as needed.

- » **The door closer is mounted.**

7 Maintenance and care



CAUTION

Risk of injury by crushing.

During mounting, high-weight shearing components can cause finger-crushing injuries.

- Wear protective gloves.

7.1 Maintenance instructions

The product is largely maintenance-free.

- Refer to the maintenance instructions for all unit components.
- Refer to the system manual.

7.2 Cleaning instructions

Only use suitable cleaning and care products to clean the surfaces.

8 Disassembly and disposal

Disassembly is carried out in the reverse order of the mounting instructions and must be done by qualified personnel. When disposing, observe the relevant national standards and guidelines.



Dispose of the product in an environmentally friendly manner.

Electronic parts and batteries must not be disposed of with domestic waste.

Use designated acceptance and collection points to dispose of electro-technical parts and batteries.

Observe the applicable national legal regulations.

Moving Details.



UNIQWIN Installation Anim. EN



DORMA-Glas GmbH
Max-Planck-Straße 33-45
D - 32107 Bad Salzufflen

T +49 5222 924-0

info@dorma-glas.com
www.dorma-glas.com

 DORMA-Glas GmbH
 DORMA-Glas GmbH



Original document