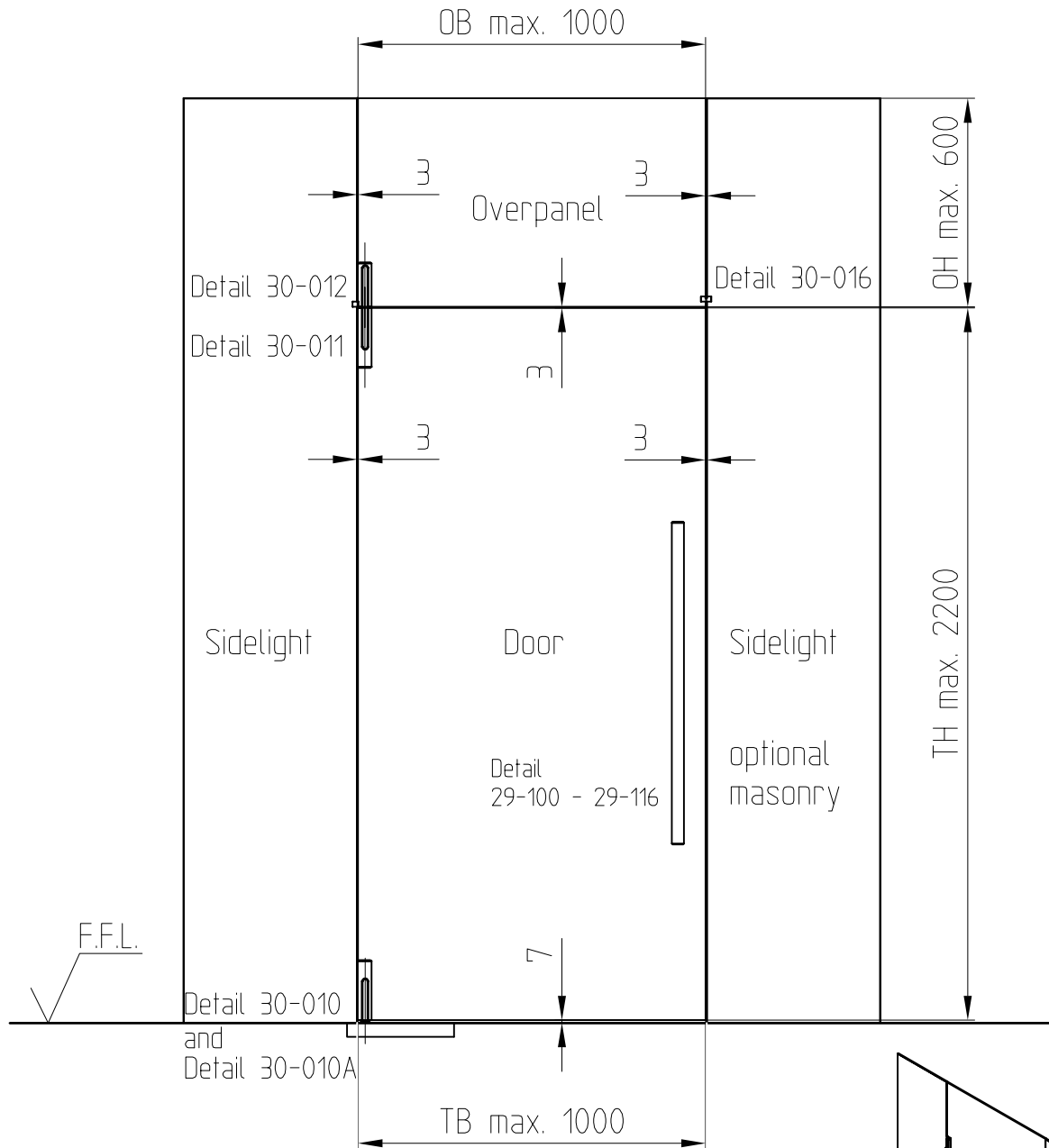


# Beyond Pivoting with pivot rod, short type

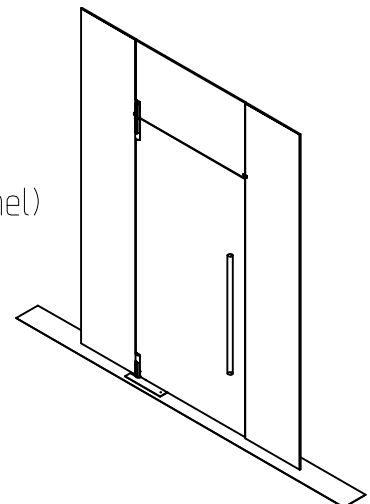


Pivoting fitting set, short type Art. No. 30.100 for 10 mm glass  
 Art. No. 30.101 for 12 mm glass 30.100/30.101/30.130/30.131  
 with overpanel fitting glass connector Art. No. 30.130 for 10 mm glass  
 Art. No. 30.131 for 12 mm glass  
 Fittings for 10 and 12 mm glass thickness, 8 mm glass thickness on request



Detail glass preparation: 30-020 (Door) / 30-022 (Overpanel)

- OB = overpanel width
- OH = overpanel height
- TB = door width
- TH = door height
- LB = clear width



1:20

07.2022 / 016627

30-001