

Moving Details.

TECHNICAL BROCHURE

Balcony and terrace sliding walls

2023 issue

TECHNICAL BROCHURE Balcony and terrace sliding walls

dg DORMA
GLAS®



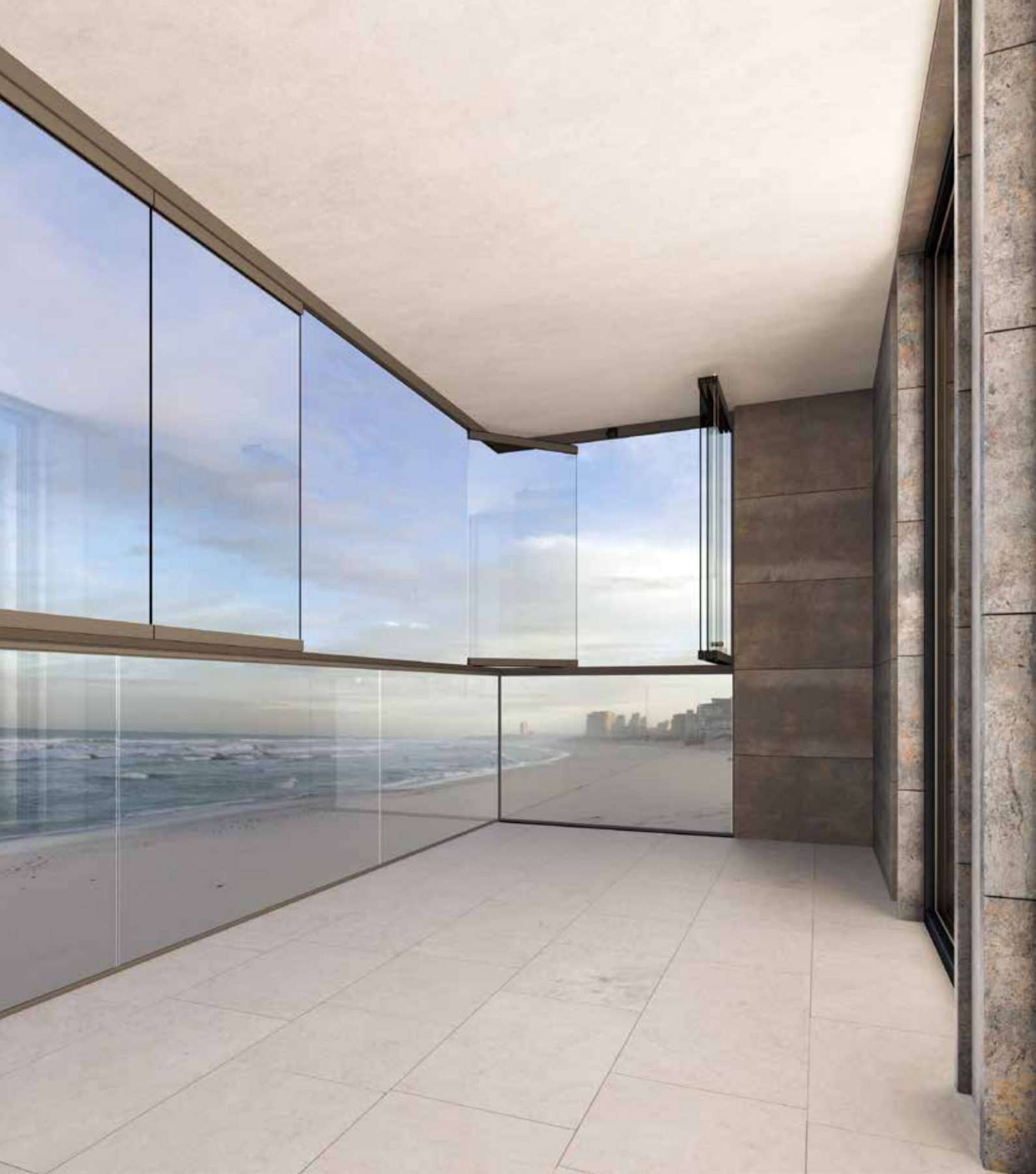
Our sustainability commitment

We encourage sustainable development along our entire supply chain, always bearing in mind our economic, environmental and social responsibility towards future generations.

Sustainability on the product level is an important and future-oriented approach in construction. In order to provide quantified data about the environmental impact of a product along its entire life cycle, DORMA-Glas makes available environmental product declarations (EPDs) outlining the results of the life cycle assessment.

Contents

5	The system
10	Panel types
12	Pivoting end panel
13	Sliding panel after the pivoting end panel
14	Sliding panel with stop function
15	Fixed panel
16	Parking
18	Colours/Finishes
19	Safety information



**BSW-G pivoting
sliding system**

Pivoting sliding wall for balcony and terrace glazing

Easy to install – reliable and safe to use

In the field of horizontal sliding walls, we at DORMA-Glas are now broadening our expertise to include balcony and terrace glazing, and can now realise solutions in this product field with our new BSW-G system. Here, we employ a hanging design with a single-rail sliding and guiding track, in which our innovative and reliable mounting technologies guarantee a high degree of security and flexibility when installing and using the system.



An overview of the system's outstanding strengths:

- No glass processing in the form of drill holes or notches required.
- The glass panels are securely clamped in the profile with tried-and-tested clamping technology.
- A continuous screw channel in the profile allows flexibility in the arrangement of the required clamps.
- The system conforms to the DIN18008 standard and thereby fulfils the high safety requirements for this kind of glazing solution.

Technical data on the door rail

- Glass thickness 8, 10 and 12 mm
- Max. panel width 900 mm
- Max. panel height 2800 mm
- Max. panel weight 80 kg

Comfort and safety

Intelligent and practical solutions

Sliding rails with autonomous pivoting point identification

Without additional effort, every sliding panel finds its pivoting point automatically, always vertically over the relevant lower pivot point.

Turning knob for access from both sides

Via a steel cable, the stainless-steel turning knob opens and closes the locking bolts in the upper and lower door rail of the first door panel. The turning knob comes in a one-sided or two-sided version.

In addition to the standard stainless-steel version, the turning knob can also be powder coated in the customer's colour of choice.

Weather protection with automated ventilation

There is a gap of 3 mm between the glass elements to facilitate the continuous ventilation of the enclosed space and thereby provide an optimal level of air circulation. A slightly larger opening (15 mm) between the glass element and the structure is covered by a weather protection bracket. Visually, this creates a flowing transition, while also protecting against wet and windy weather. At the same time, however, it also facilitates moisture exchange with the surrounding air. Condensation and cleaning water is safely led outside via a collecting channel in the lower guiding track.

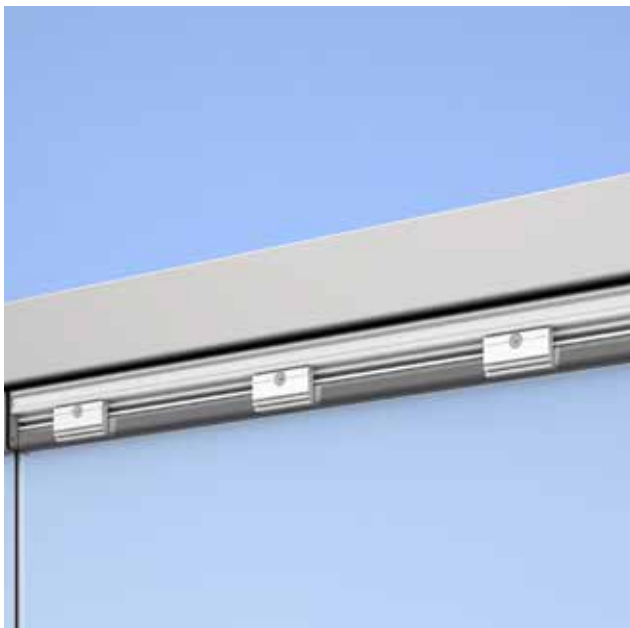


Clamping for more flexibility

Reliable hold for maximum safety and easy installation

An overview of the new clamping technology's advantages:

- Using clamping technology for the door rails means no drying time for adhesives, making the manufacturing times of panels significantly shorter.
- The use of clamping technology makes the production process faster and more flexible.
- A full-length screw channel in the clamping rail allows the necessary clamping points to be positioned individually above the door width. The number of clamping points depends on the weight of the doors.
- The clamping rail means that no glass processing is required, so the height can be adjusted directly on the panel during installation. Measuring errors can therefore be quickly corrected.
- Because the upper pivot bearing of the pivoting end panel can be variably positioned, it can be flexibly adjusted during installation.



A sustainable system offering added value

Clamping instead of gluing is better for the environment and human health:

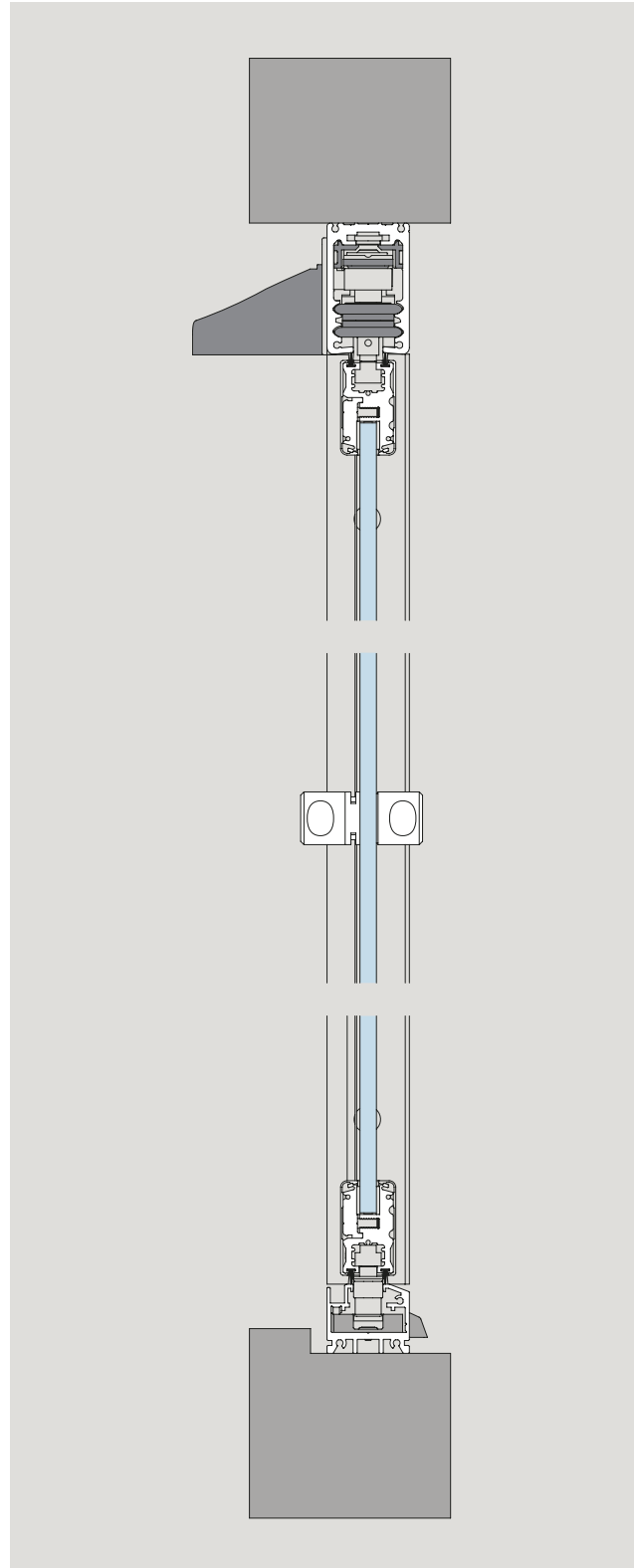
- No material waste because the glass, if it breaks, can simply be exchanged, and the door fittings can still be used.
- No gases released when curing adhesives in the production process.
- No adhesive or cartridge residues in the production process.
- No harmful adhesives used to position the glass.

Panel design

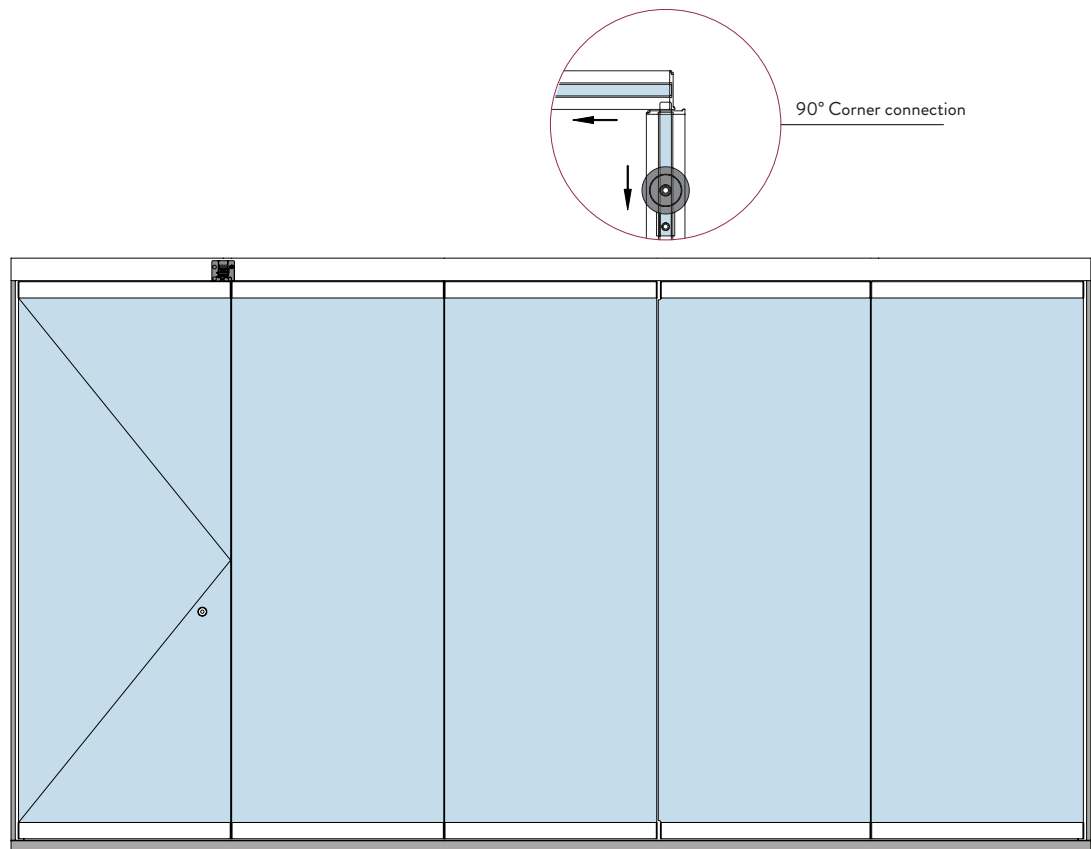
With a range of panel types, BSW-G offers perfect solutions for terrace and balcony glazing:

- All panel types have a top and bottom door rail, which hold the glass securely in place.
- The clamped door rails can take glass thicknesses of 8, 10 and 12 mm.
The maximum panel width is 900 mm and the maximum panel weight is 80 kg.
- The top and bottom door rail of each panel is always fitted with a double brush seal.
- Vertical weather protection brackets on both sides form the side wall fixture of the BWS-G system. These cover a 15-mm ventilation gap, which provides sufficient ventilation for the enclosed space. This is supplemented by 3-mm gaps between the system's individual panels.

Vertical section of a BSW-G system



BSW-G – panels and functions



	Pivoting end panel, opening inwards. Not movable, with turning knob on one or both sides. Cable to the top and bottom bolt always runs on the inside.	Sliding panel, after pivoting end panel Movable panel without additional functions.	Sliding panel before 90° corner Because this panel is the last in the left parking position, this one has a stop function.	Sliding panel after 90° corner This panel also has a stop function because it is moved into the right parking compartment. There is also a cut-out in the glass at the top and bottom.	Fixed panel Non-movable panel
Max. panel height	2800 mm	2800 mm	2800 mm	2800 mm	2800 mm
Max. panel width	900 mm	900 mm	900 mm	900 mm	900 mm
Max. panel weight	80 kg	80 kg	80 kg	80 kg	80 kg

The individual panels can also be supplied in different widths.

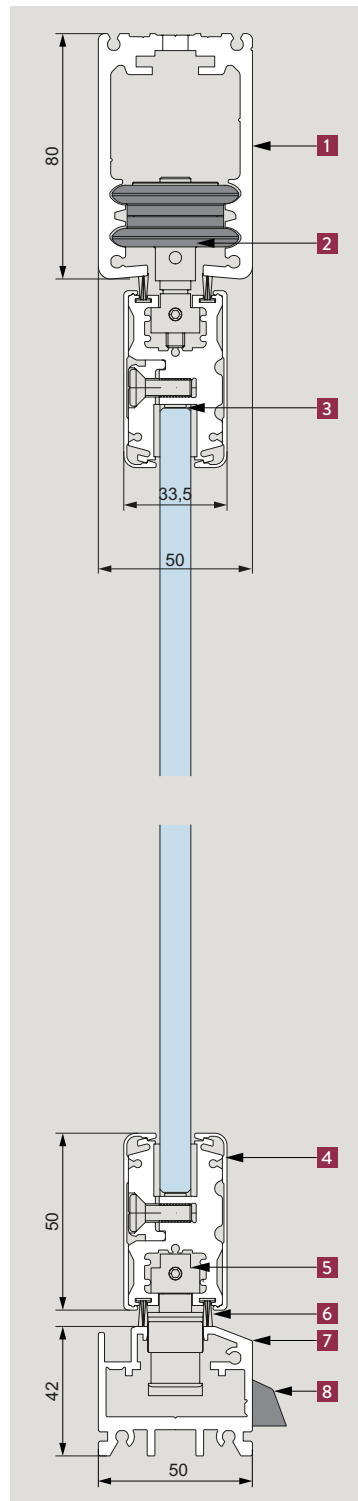
**** Note:** The maximum permitted width refers to the complete door configuration including the handles.

Clamped door rail and general information

To ensure maximum stability and security, the glass elements are clamped in the profile. The clamping technology offers impressive advantages:

- No glass processing required
- Shorter manufacturing times
- Flexibility during installation, as well as benefits for the environment and human health: adhesive cartridges are a thing of the past, as are the harmful vapours from adhesives when positioning the glass.

Basic components and dimensions

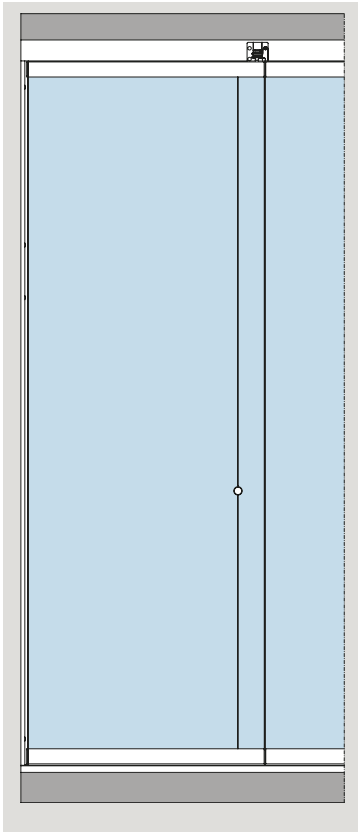


Regardless of the function of the individual panels, a BSW-G system consists of the following basic components:

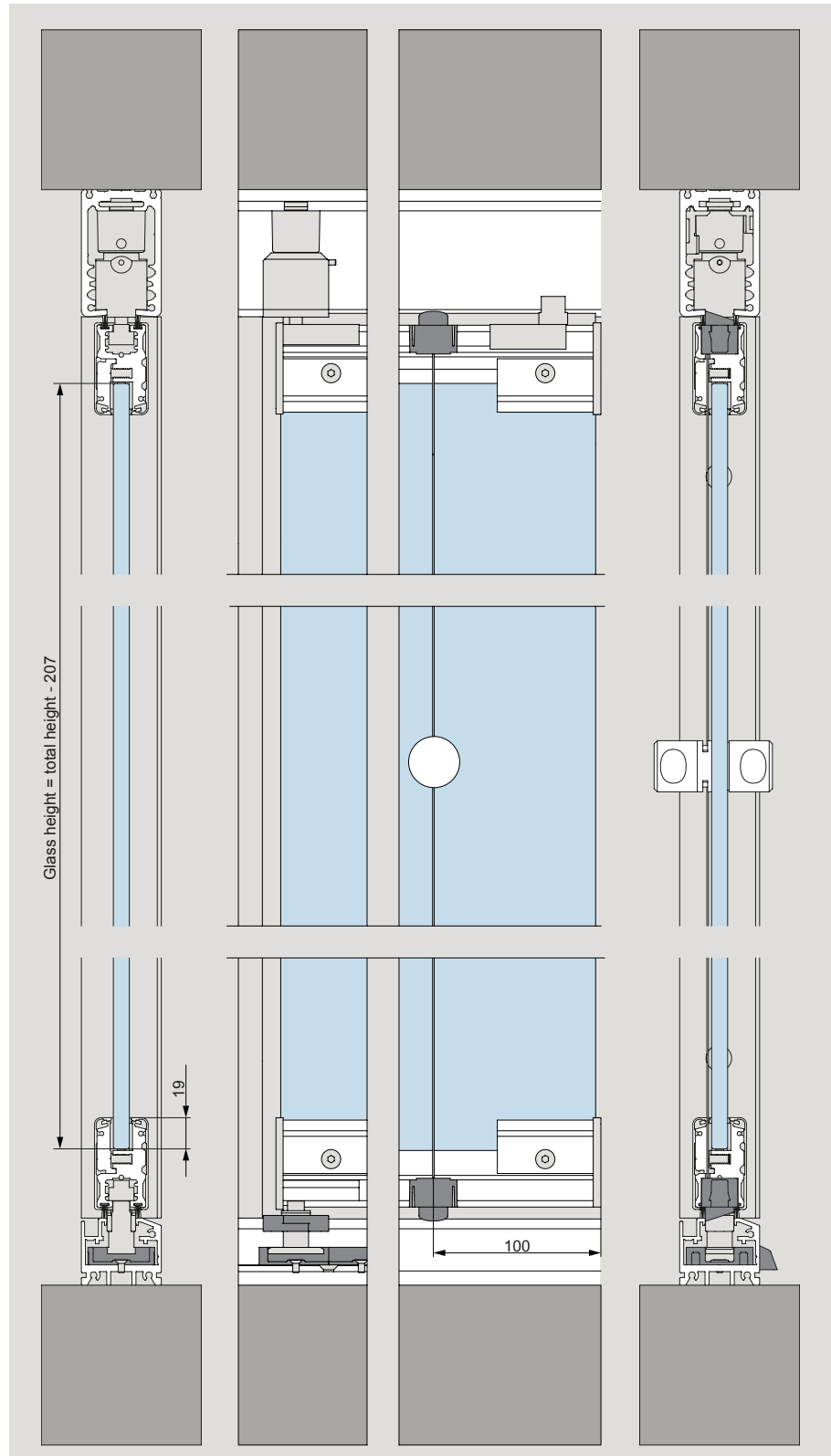
- 01**
Sliding rail
- 02**
First swing-out roller carrier
Second swing-out roller carrier
Pivot-point roller carrier
- 03**
Bumpon SJ 5635
- 04**
Clamp profile
for 10/12 mm glass thickness
- 05**
Bottom guide
- 06**
Brush
- 07**
Floor track
- 08**
Water slot cap

Pivoting end panel

Pivoting end panel, opening inwards

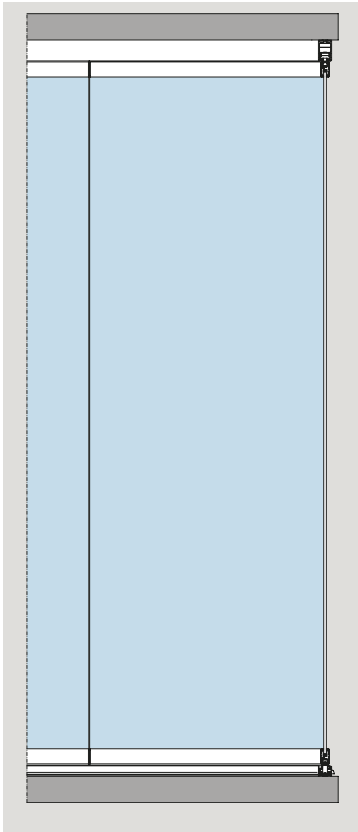


Non-movable panel, always fitted with a turning knob on the inside.
Can also be supplied with turning knob on both sides.

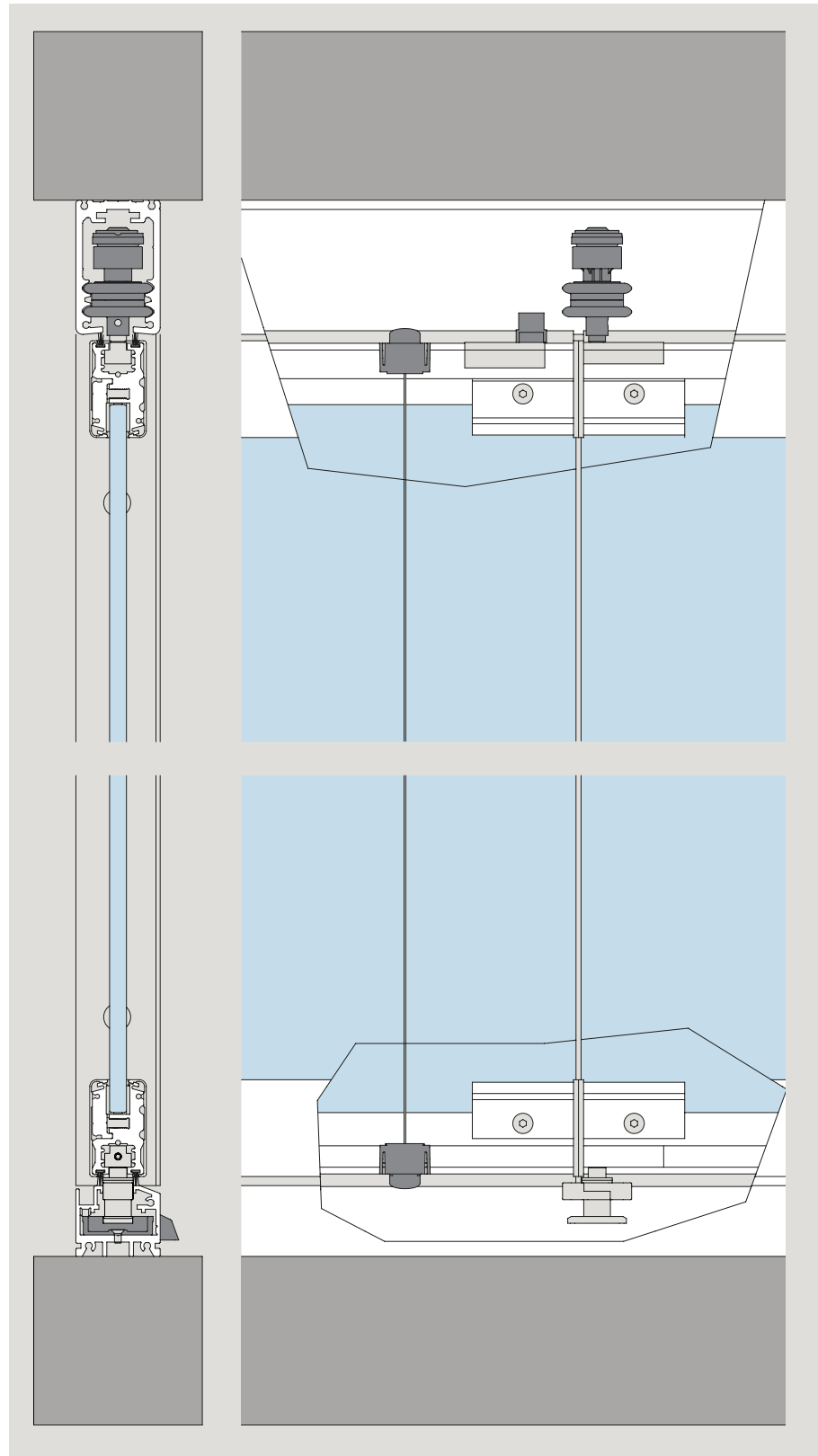


Sliding panel after pivoting end panel

Movable panel without additional function

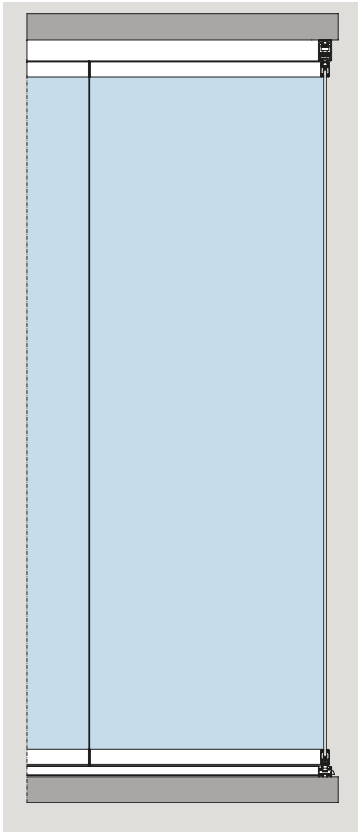


The sliding panels are movable. In the closed state, they are fixed at the bottom by the bottom guide and a frontal pin in the frontal cover.

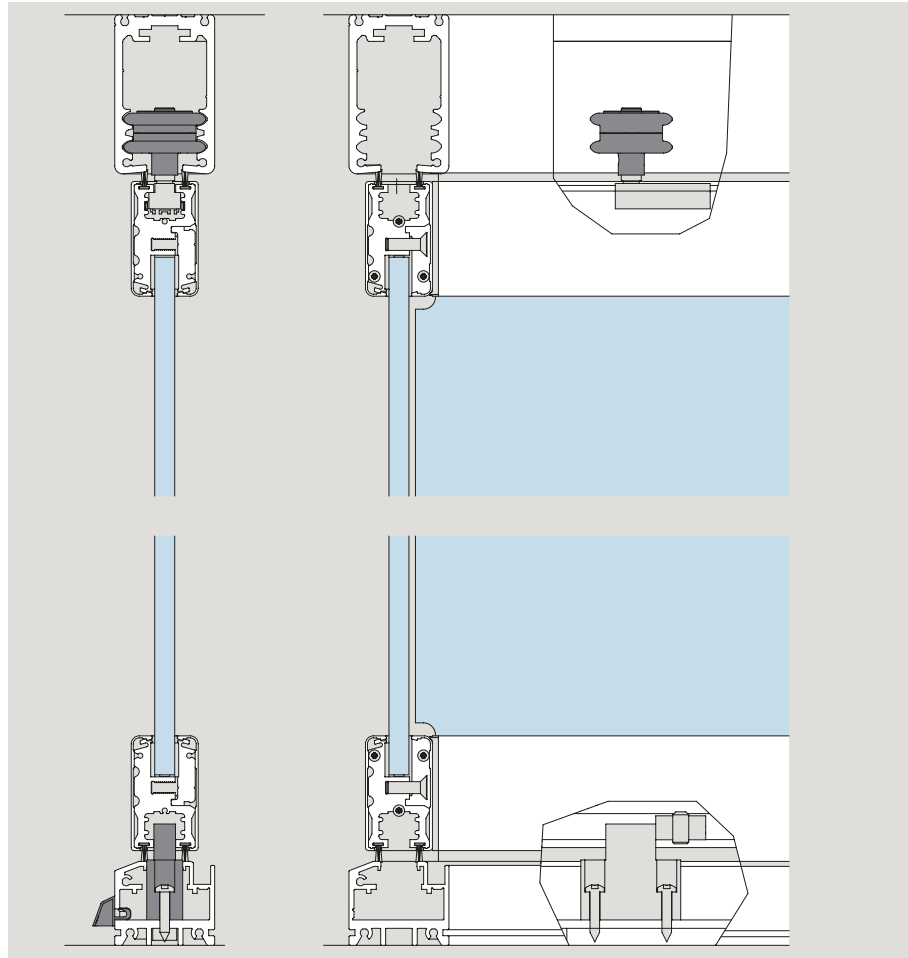


Sliding panel with stop function

Movable panel with adjustable stop function

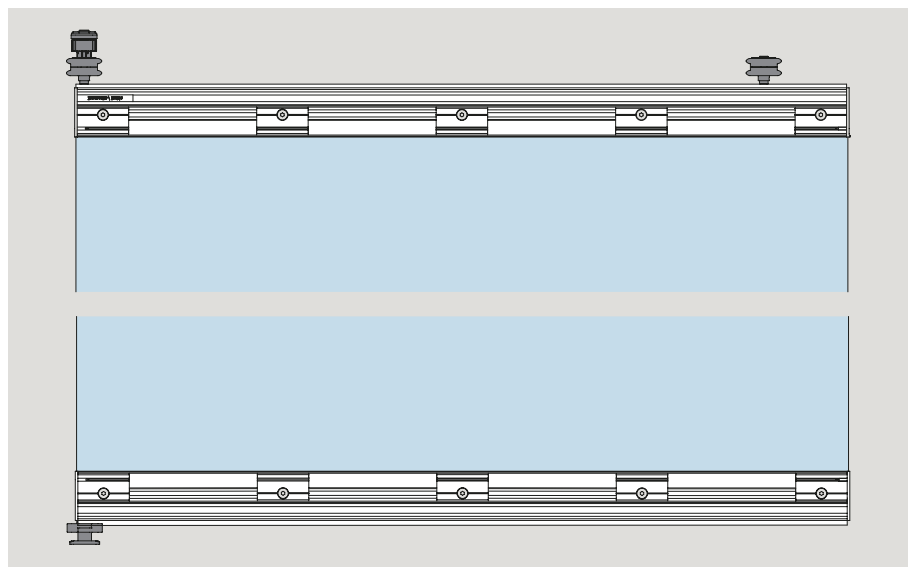


The sliding panel with stop function is movable. In the closed state, it is fixed at the bottom by the bottom guide and a panel stop in the guiding track. A slidable latch in the panel's bottom clamp profile facilitates the precise positioning of the panel in the stop position.

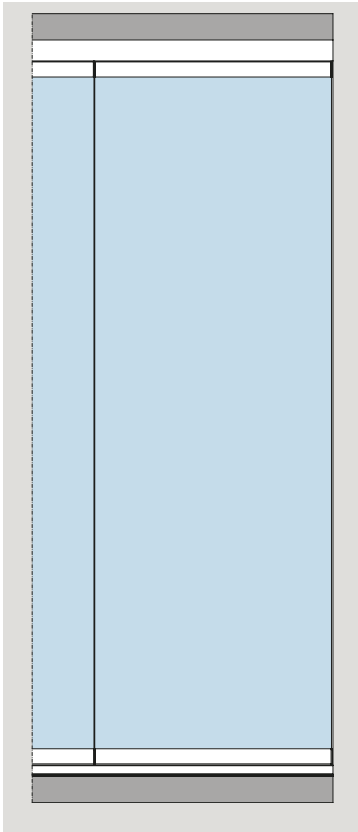


Bottom door rail with frontal lock and panel stop

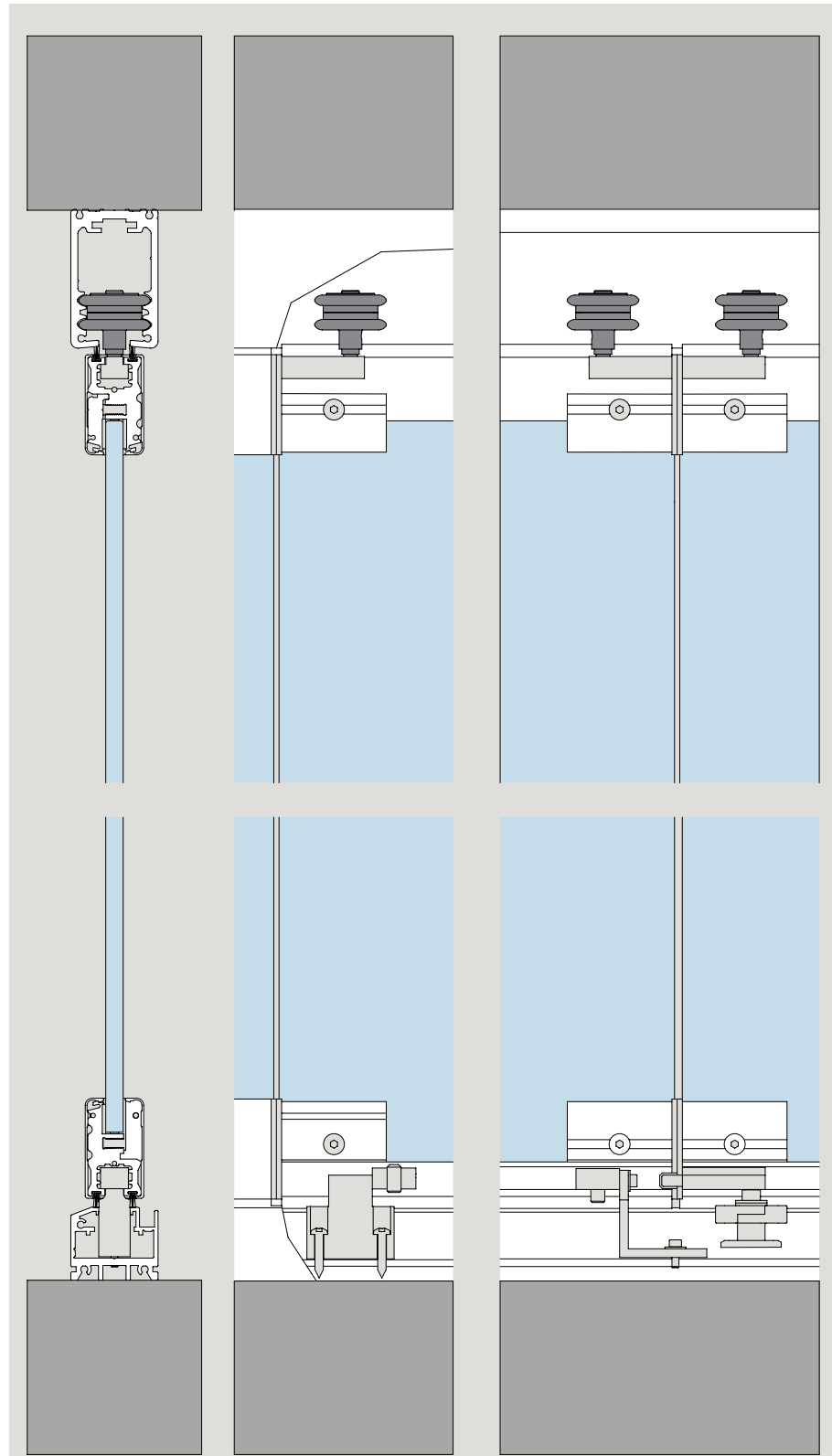
Bottom and top clamping rail with clamps



Fixed panel

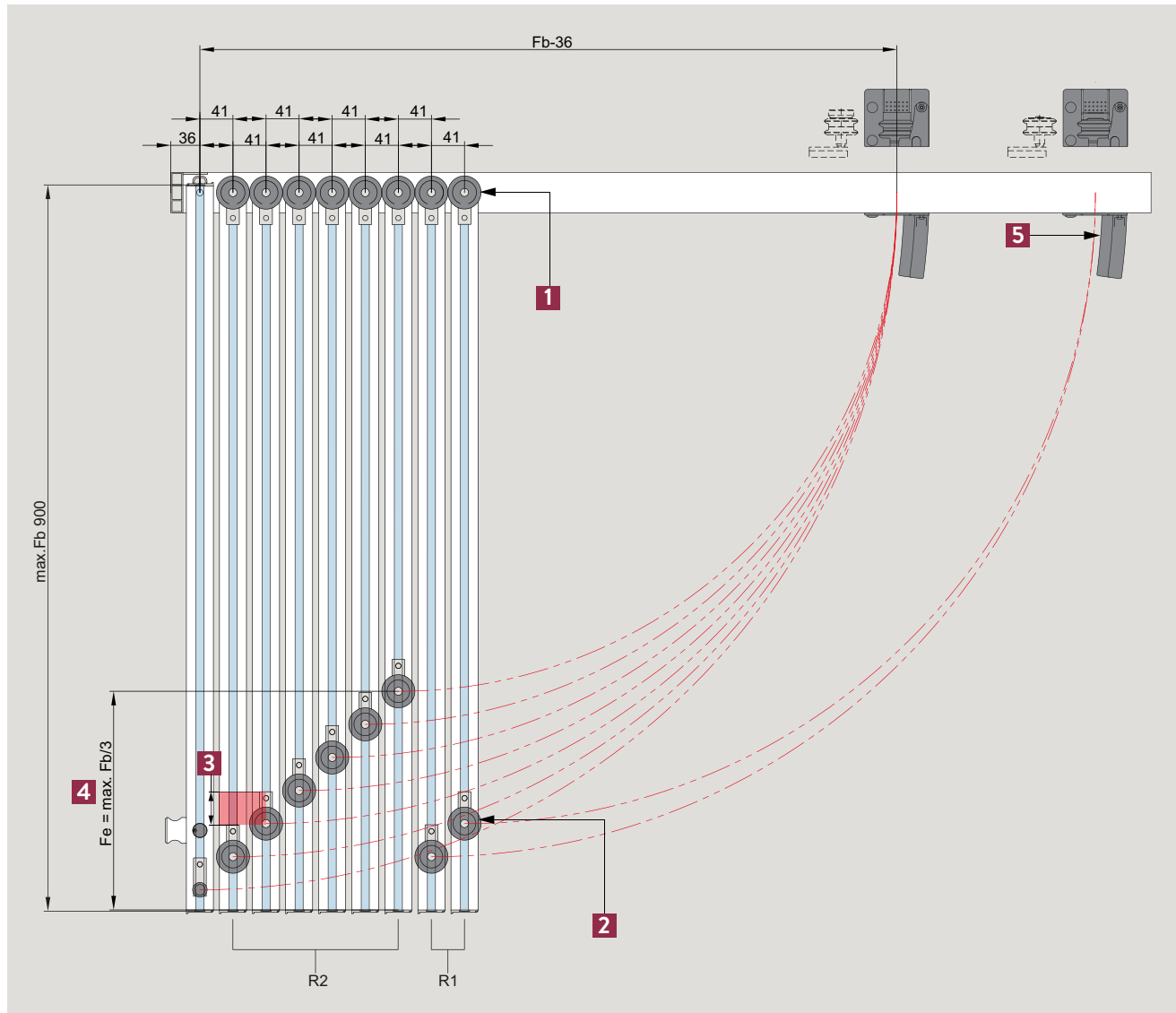


Non-movable fixed panel, independent of the rest of the system. The fixed panel looks the same as the moveable panels. If needed, a sliding panel can also be formed here by exchanging the bottom fixed-panel clasp with the bottom guide.



Parking area and parking situation

Example of parking area with the required 2nd grouping



Notes on parking and conditions for a 2nd grouping:

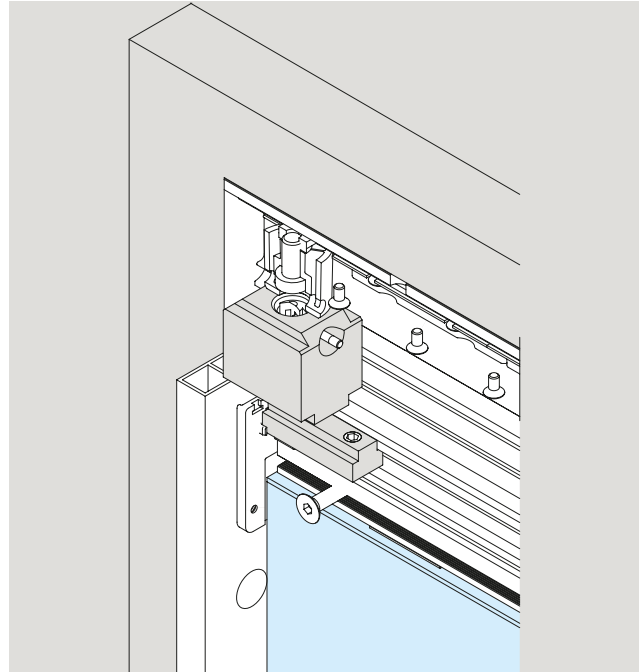
- 1 Pivot-point roller carrier
- 2 Swing-out roller carrier
- 3 With each additional panel, the swing-out roller carrier shifts 41 mm further in the direction of the pivot point.
- 4 The maximum permitted distance (Fe) of the swing-out roller carriers is $1/3$ of the panel width (Fb).
- 5 A 2nd grouping is needed if the maximum distance of the panel (Fe) has been reached, and more panels are to be parked in this parking area.

Parking area and parking situation

Shifted position of the swing-out roller carriers



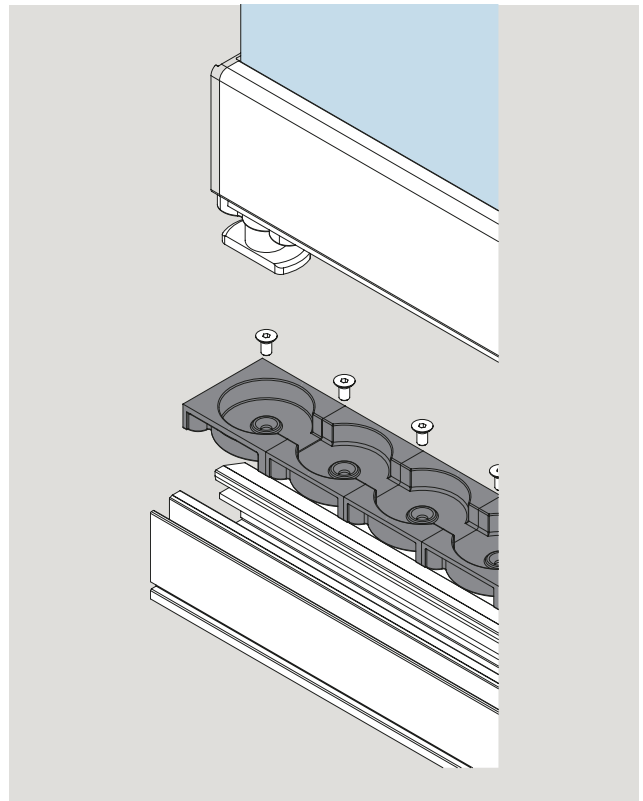
Top pivot point in the sliding rail



Opening with swing-out roller carrier



Bottom pivot-point cassettes in guiding track



Finishes

Finish codes

The finish codes at the top of the price columns inform you about the materials, colors and finishes available for the products.

They can differ with regards to the various products, therefore only those finishes indicated with a price for the respective product are available.

Please contact us if your required finish is not shown there.

We will endeavour to help you.

Base parts, various material, untreated surfaces	
000	Base parts

Aluminium, powder coated	
Black	
304	AL powder coated, Jet black, smooth, matte (sim. RAL 9005)
385	AL powder coated, Jet black, fine texture, matte (sim. RAL 9005)
White	
300	AL powder coated, Traffic white, smooth, glossy (sim. RAL 9016)
350	AL powder coated, Traffic white, smooth, semi gloss (sim. RAL 9016)
384	AL powder coated, Traffic white, smooth, flat matte (sim. RAL 9016)
Grey	
382	AL powder coated, Graphite, fine texture, matte (scratch resistant)
383	AL powder coated, similar DB 703, smooth, matte, perl glimmer effect
Metall look	
318	AL powder coated, similar anodized EV1, smooth, matte
331	AL powder coated, similar anodized Silver, smooth, matte
309	AL powder coated, similar anodized C35, smooth matte
330	AL powder coated, similar stainless steel, smooth, semi gloss
Specials	
398	AL powder coated, Special color, high weather resistant
399	AL powder coated, Special color
(Standard powder according to the corresponding overview on our website. A price surcharge is possible for special colors outside the color range specified there.)	

Note

Special anodized shades (199) and special colors (399 and 398) on request; please enquire with color samples if available.

Finish differences through production cannot be totally excluded.

Aluminium, mill finish and anodized	
100	AL mill finish
Silver look	
101	AL anodized, EV1, sanded, matte (for profiles: stained, matte)
114	AL anodized, EV1 Deco, satin, matte (compatible with finish 150)
150	AL anodized, Silver, satin, matte (compatible with finish 114)
Stainless Steel look	
107	AL anodized, similar stainless steel, polished, matte
113	AL anodized, similar stainless steel, satin (for profile material) (similar Anodizing II C 31)
126	AL anodized, similar stainless steel, satin (only for ARCOS handle bars)
127	AL anodized, similar stainless steel, polished (only for ARCOS handle bars)
157	AL anodized, similar stainless steel, satin
Brass look	
105	AL anodized, brass-coloured EV3
106	AL anodized, similar brass, smooth, glossy
Black	
108	AL anodized, dark bronze (DB14)
109	AL anodized, Black, satin, matte
Specials	
199	AL anodized, special
Stainless steel, various finish treatments	
700	Stainless steel, satin (compatible with 750)
750	Stainless steel, satin (for MUNDUS) (compatible with 700)
701	Stainless steel, polished (compatible with 751)
751	Stainless steel, polished (for MUNDUS) (compatible with 701)
Brass, various finish treatments	
503	Brass, polished
501	Brass, polished, chromed
Plastic, various finish treatments	
Colored	
803	Plastic, Black, dyed through
805	Plastic, Traffic white, dyed through
Chromed	
804	Plastic, satin chromed

Diverse codes of our Powder Coating Standard Colors are to find under this link:
<https://www.dorma-glas.com/en/service/infopoint/material-and-surfaces/>

Safety information

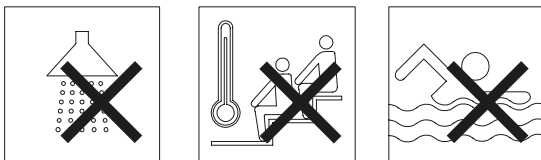
Important safety information for the installation and use of DORMA-Glas glass fittings

(To be observed in addition to the instructions for installation and use in order to avoid damage to the product and other property, as well as personal injury.)

Important note: All users must familiarise themselves with the points from the following notes that are relevant to them and with the information from the instructions for installation and use!

General

1. DORMA-Glas recommends using ESG-H (heat-soaked, toughened safety glass) in accordance with DIN EN 12150-1.
2. DORMA-Glas glass fittings are only suitable for installation in outdoor areas under certain conditions.
3. DORMA-Glas glass fittings are not suitable for spaces in which chemicals (e.g. chlorine) are used, e.g. swimming pools, saunas and saltwater spas.



4. Sliding doors must not be moved faster than at a walking pace and must be stopped manually before reaching the end position.
5. Pivoting panels must not be slammed too hard. If an over-rotation is possible, this should be prevented by using a door stop.

Installation

1. DORMA-Glas glass fittings must only be installed by qualified personnel that have been specially trained in glass installation.
2. Glass with defects such as glass shelling and/or chips on the edges must not be used.
3. There is a risk of crushing – including in the area of the secondary closing edge – and a risk of injuries resulting from glass breakage during installation. It is therefore vital that the appropriate protective clothing (in particular gloves and safety glasses) is worn.
4. All grease must be cleaned from the glass in the clamping area using a degreasing agent before the final installation of the fittings.
5. Clamping fittings may only be used on structured glass surfaces (with the exception of satinised glass) or glass with significant variation in the glass thickness if a levelling layer is applied.
6. The use of clamp fittings is not permitted on self-cleaning coatings.
7. When adjusting glass elements, the defined clearance for the respective fitting must be observed. Always adjust the clearance so that there is no contact between the glass and hard materials (e.g. glass, metal, concrete).

8. Ensure installation is carried out without excessive tension as a result of screws that have been tightened too far.

Maintenance

Check fittings regularly to ensure they are positioned correctly and are sliding smoothly, and check the door to ensure it is correctly aligned. High-traffic systems should be checked by a specialist or installation company. Damaged glass elements (chipped and/or glass shelling) must be replaced without delay!

General care instructions

The surfaces of the fittings are not maintenance-free and should be cleaned appropriately in accordance with their design.

- For metal surfaces (anodised finishes, stainless steel), please always use suitable, abrasive-free cleaning agents.
- For lacquered surfaces, please always use appropriate solvent-free cleaning agents.
- Brass surfaces (without surface protection) must be occasionally treated with a suitable care product in order to avoid tarnishing.

Please use our drawings DORMA-Glas “The Detail” for the practical planning of your system.

The printed colours showing the surfaces in this brochure are not 100% accurate. Statements relating to the properties or use of products or materials serve only a descriptive purpose. Guarantees concerning the provision of certain properties or a certain intended application always require special written agreement. Images may show special designs that deviate from standard products.

Subject to technical changes.



Moving Details.



DORMA-Glas GmbH
Max-Planck-Straße 33-45
D - 32107 Bad Salzuflen

T +49 5222 924-0

info@dorma-glas.com
www.dorma-glas.com

 DORMA-Glas GmbH
 DORMA-Glas GmbH



WN.0080051600632, 03/23
Subject to technical changes