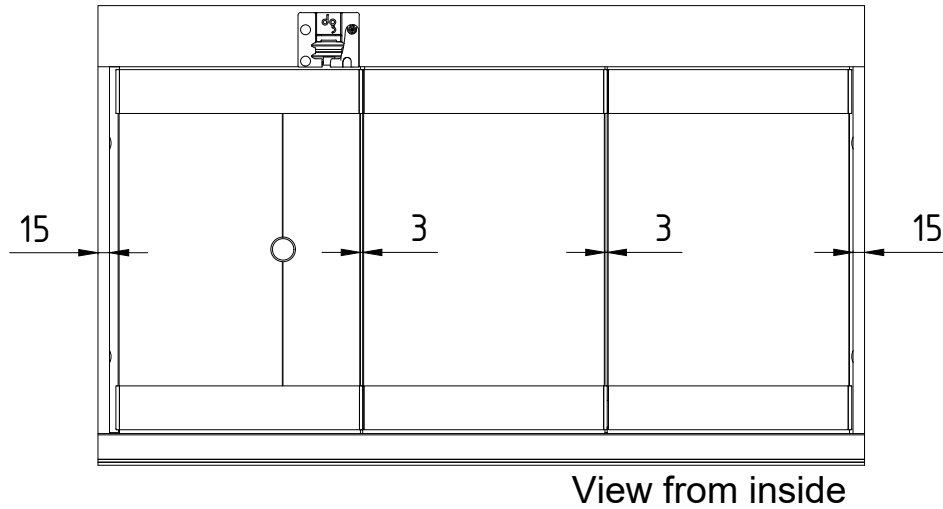


BSW-G: Technical details



	D/a end panel	Sliding panel	Fixed panel
Max. System height	2800 mm	2800 mm	2800 mm
Max. Panel width	900 mm	900 mm	900 mm
Max. Panel weight	80 kg	80 kg	80 kg

Up to 2 exits per parking area
 Up to 12 panels per parking area
 System directions: Straight and angled

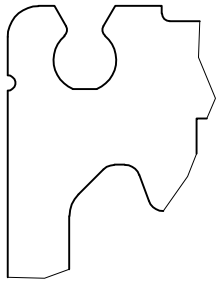
Glass thickness: 10 or 12 mm glass

Glass types: ESG (toughened safety glass)

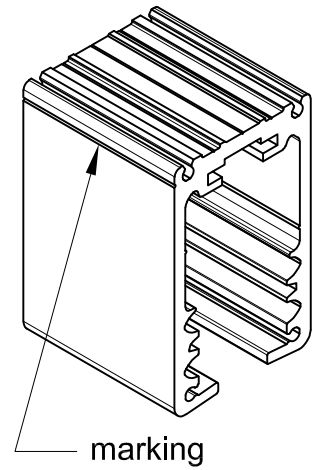
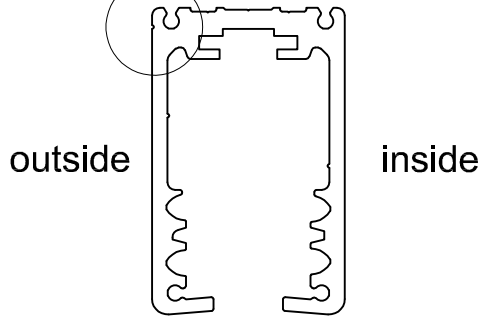
Available types of panel: Double action end panel, sliding panel and fixed panel

Track marking

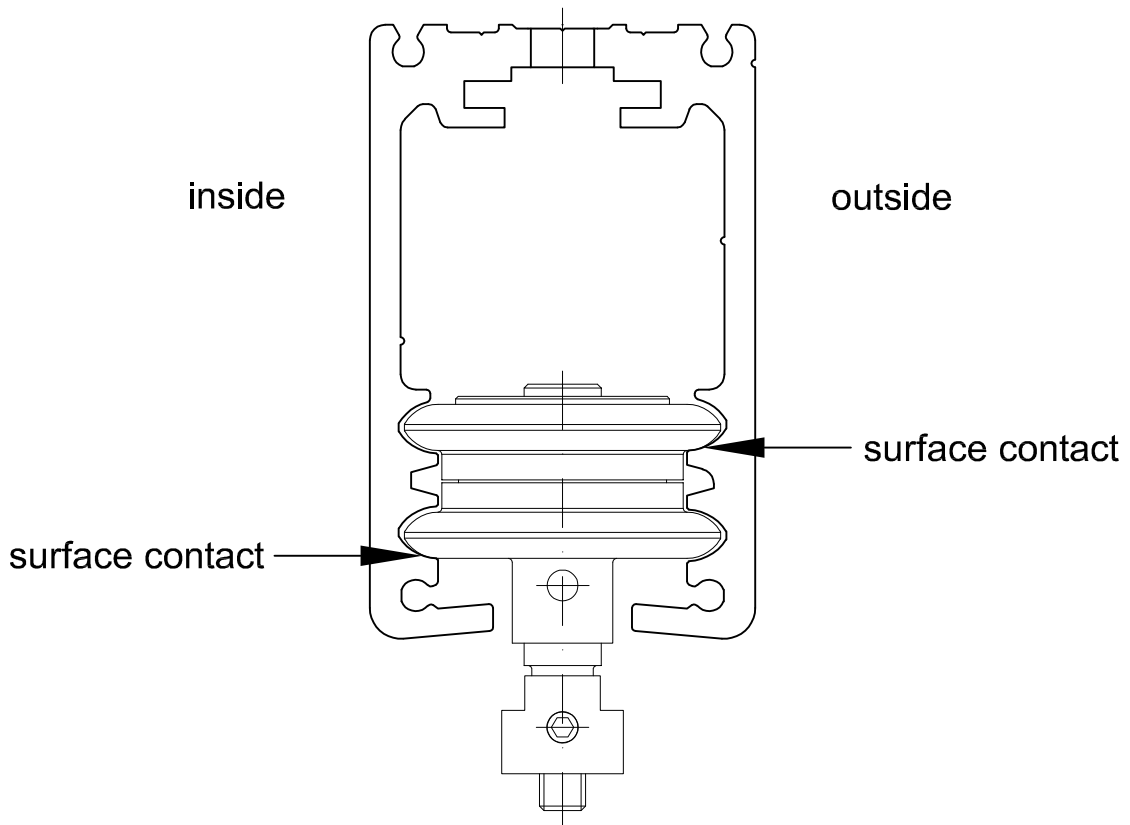
X (2 : 1)



X 1:2



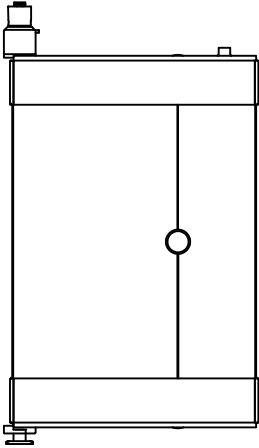
Important note: To insure the correct running of the roller, the marking, as shown must always be on the outside!



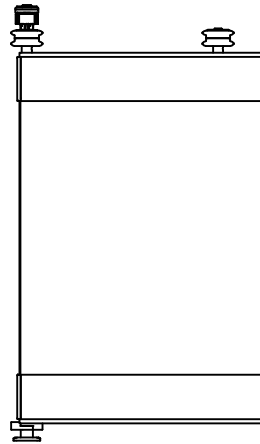
BSW-G Types of panels



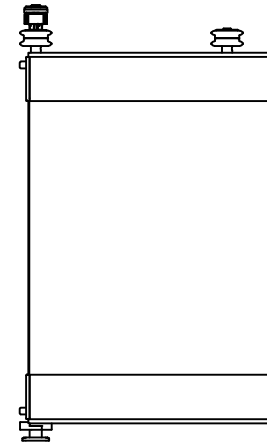
Single action end panel, clamped



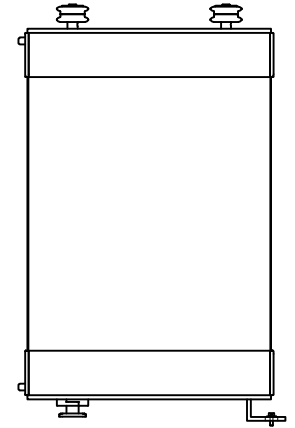
First sliding panel after s/a end panel, clamped



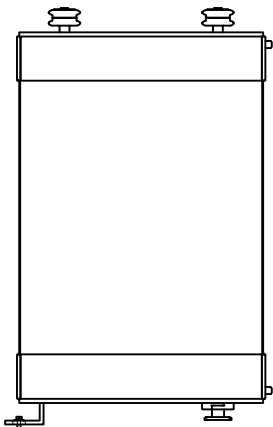
All the following sliding panels, clamped



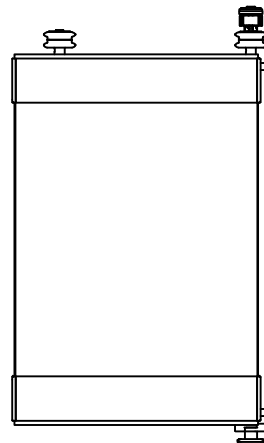
Fixed panel, clamped



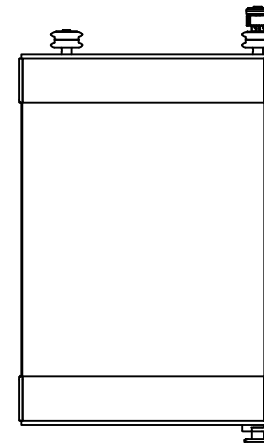
Fixed panel, clamped



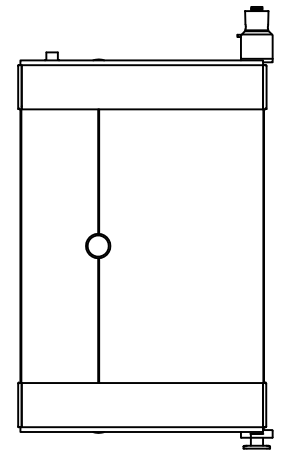
All the following sliding panels, clamped



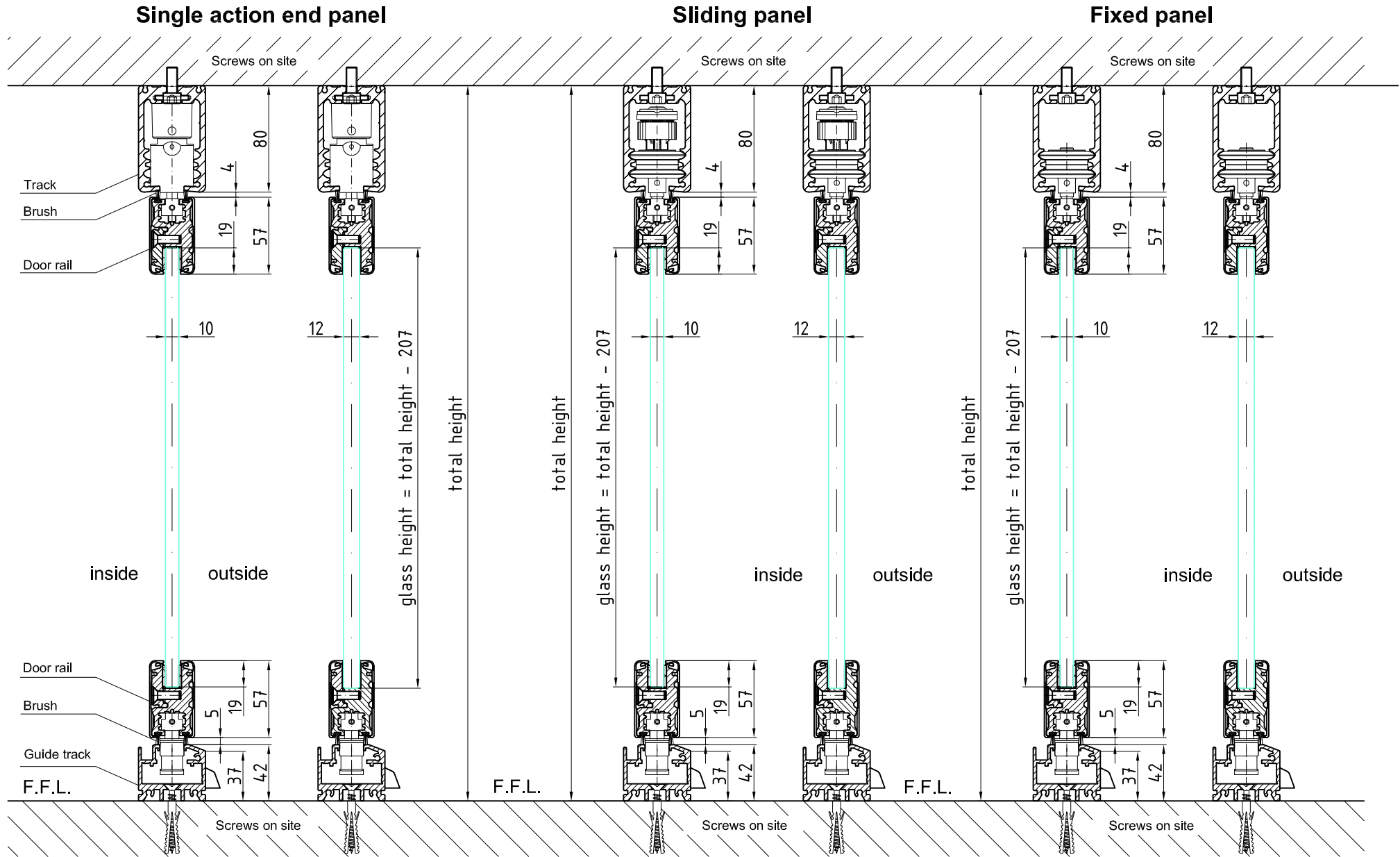
First sliding panel after s/a end panel, clamped



Single action end panel, clamped



BSW-G Construction of panels



1:2

03.2023 / 016654

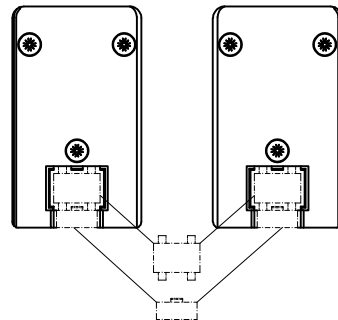
31-003

BSW-G End caps



<p>End cap, LH 83131400099</p>	<p>End cap, RH 83131500099</p>	<p>The end caps LH and RH are used for s/a end panel and the first sliding panel after s/a end panel. For all following sliding panels and the fixed panel the end cap need to be prepared :</p>
<p>End cap, LH with fixing pin 83131600099</p>	<p>End cap, RH with fixing pin 83131700099</p>	<p>Please remove the part for the panel connection, e. g. with utility knife With this the panel connection is secured.</p>

Please remove the two parts for the guide track with the panel stop.
See 31-015



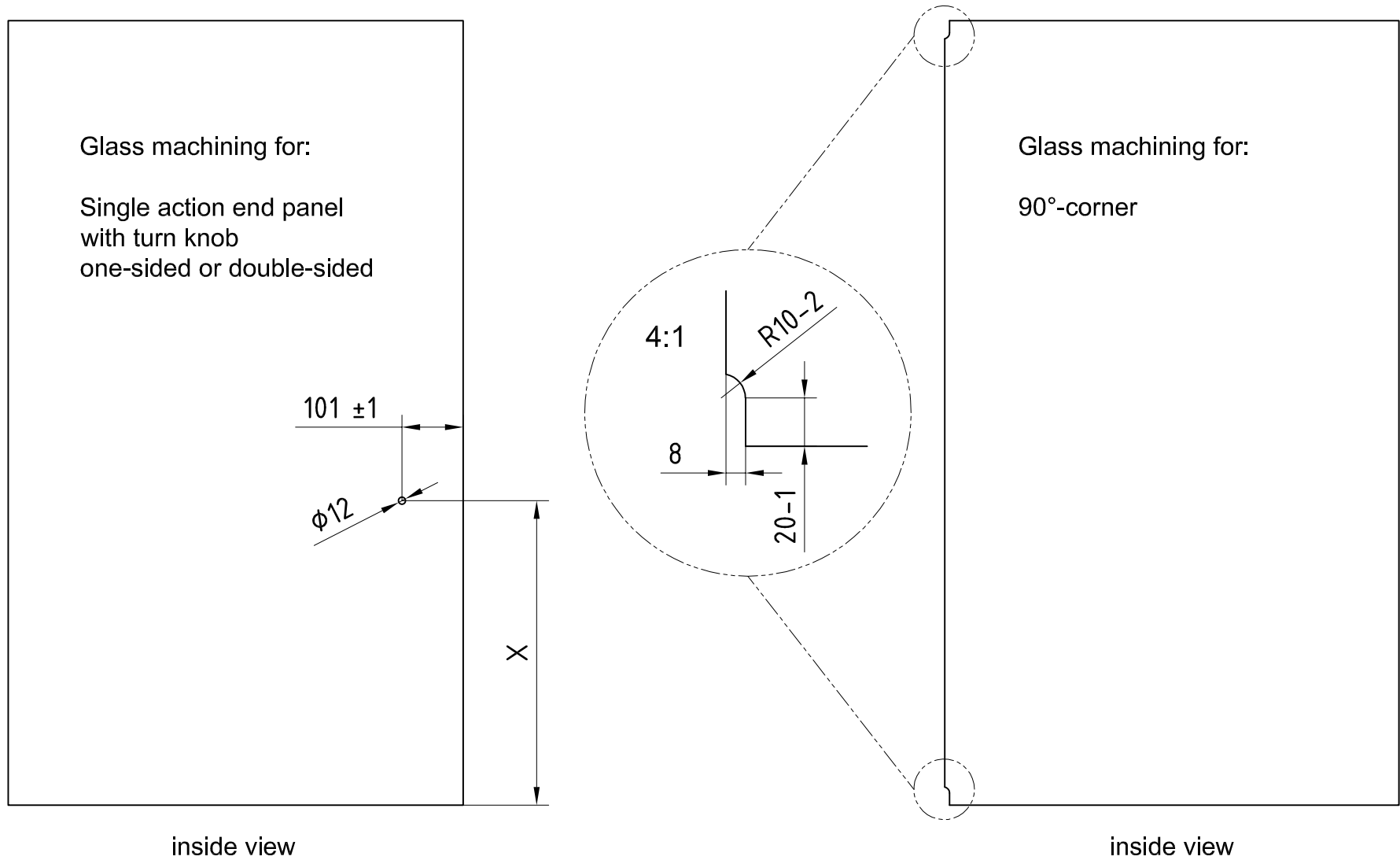
End cap-combinations, for the separated panels, see also:
31-020, 31-021 und 31-022

1:1

03.2023 / 016654

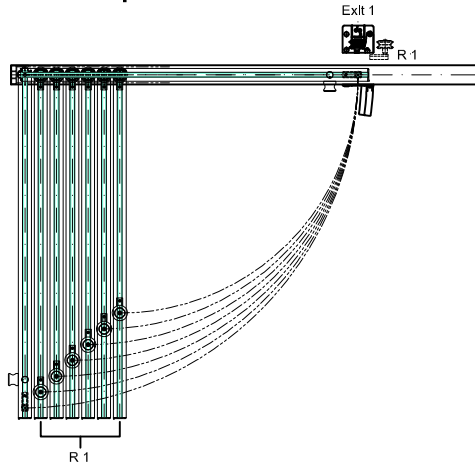
31-004

BSW-G Glass machining

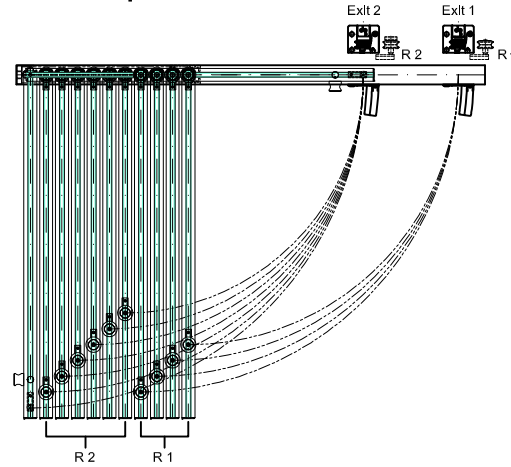


BSW-G Examples for the parking of the panels

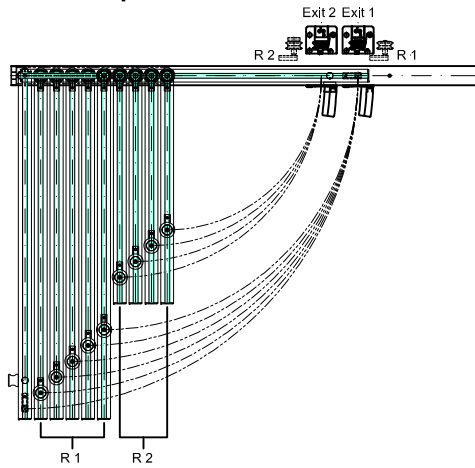
Example 1



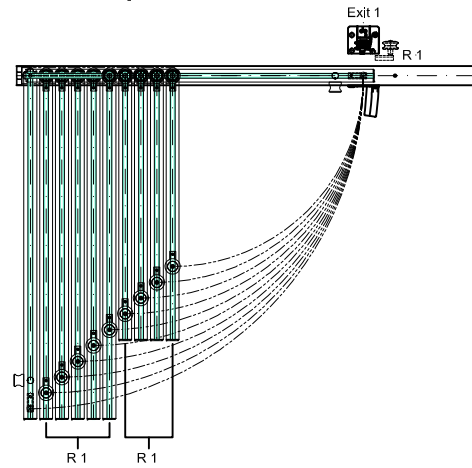
Example 2



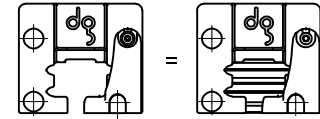
Example 3



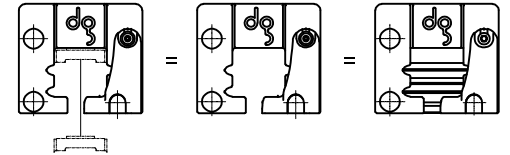
Example 4



Exit for the swing-out roller carriage 1 (R 1)



Exit for the swing-out roller carriage 2 (R 2)



Please remove the part for the swing-out roller carriage 2

4:1

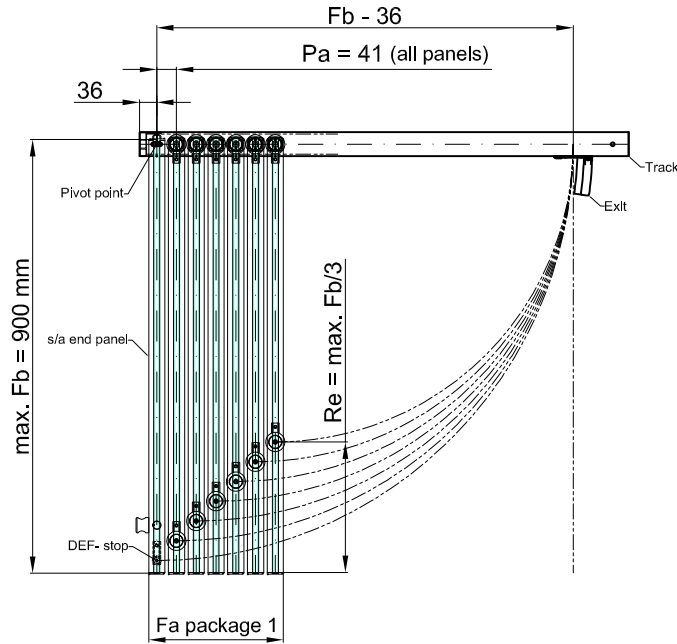
1:5

03.2023 / 016654

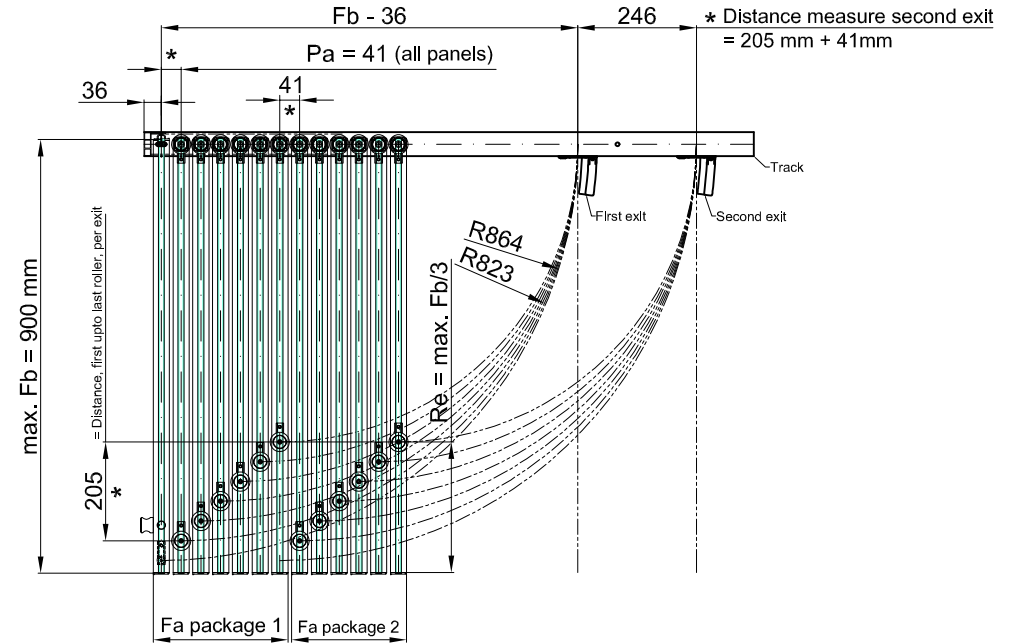
31-006

BSW-G Calculations for the parking of the panels (Example for the shown presentation)

Parking with one exit



Parking with two exits



DEF = Single action end panel
(s/a end panel)

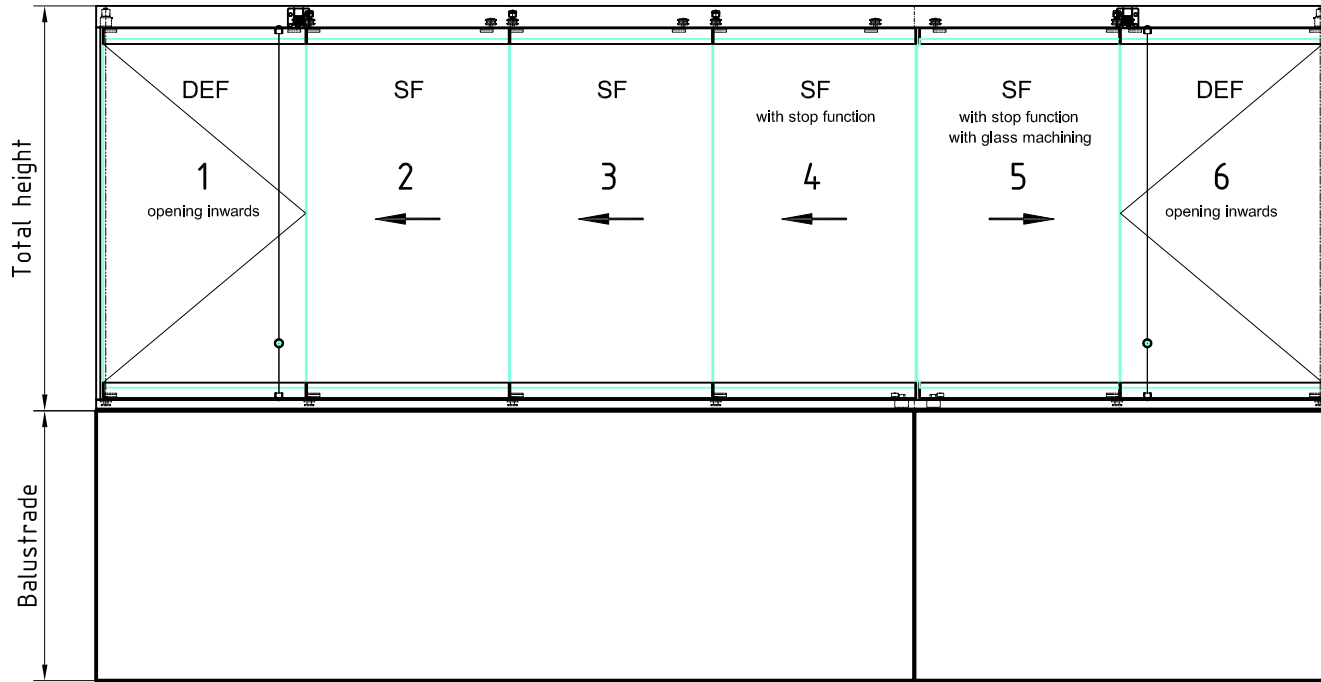
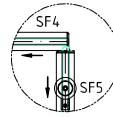
Fa = number of panel
Fb = panel width
Pa = distance of parking
Re = stood up of roller

* Distance measure second exit:

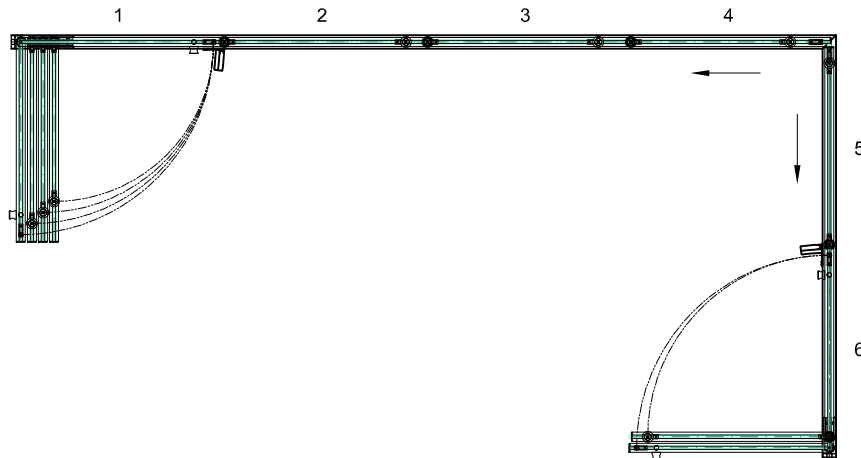
205 mm (first upto last roller, per exit)
+
41 mm (distance of parking Pa)
= 246 mm

This document is protected by copyright. The content is the property of DORMA-Glas GmbH. All rights reserved.

BSW-G System on balustrade with 90° corner



DEF = Single action end panel
SF = Sliding panel



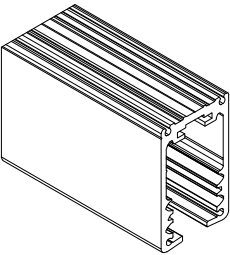
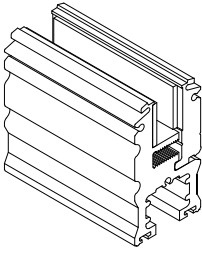
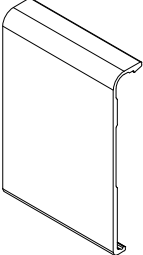
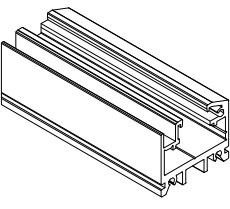
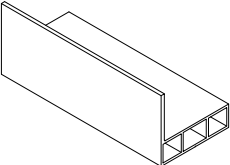
1:10

03.2023 / 016654

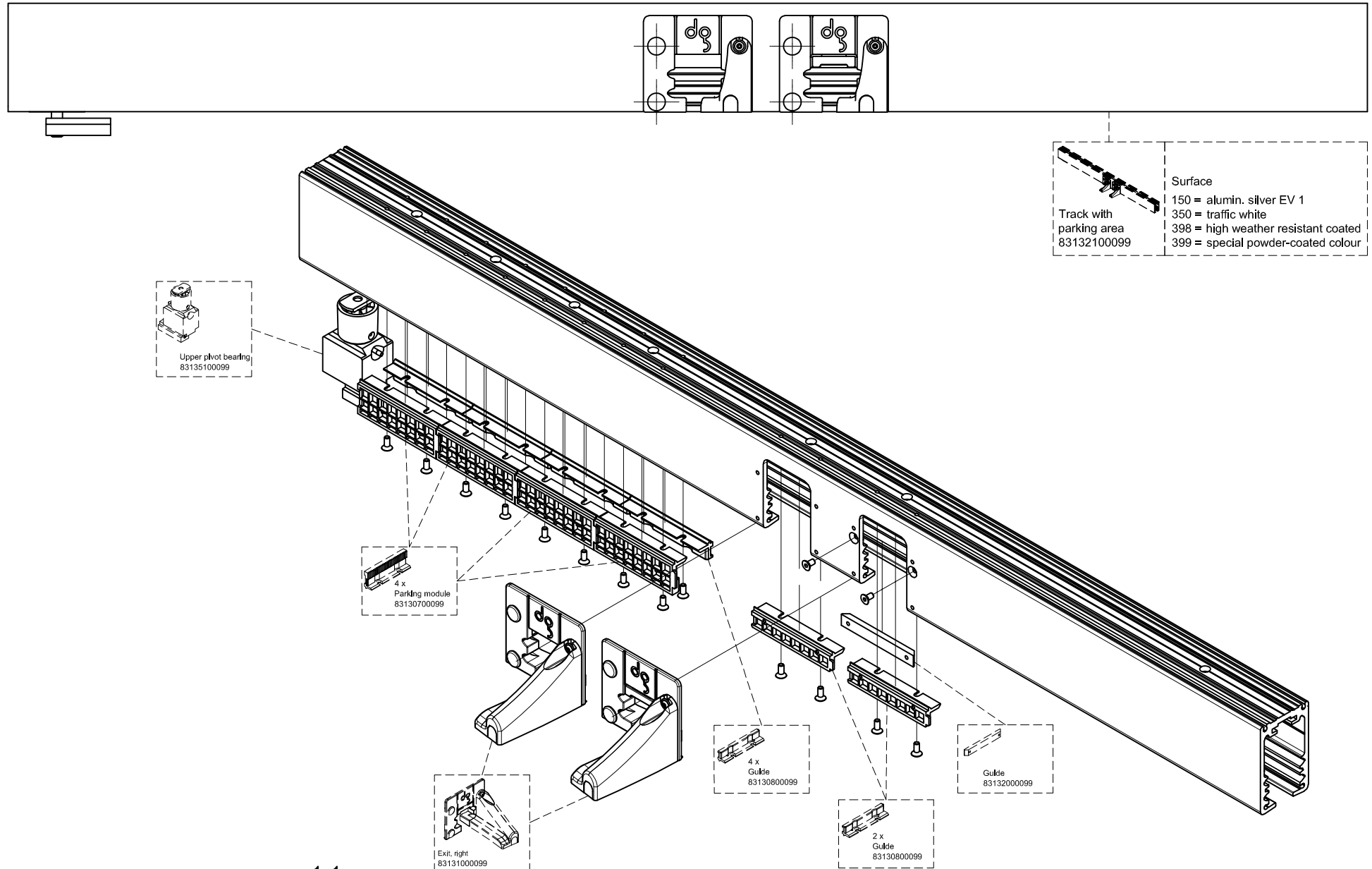
31-008

BSW-G: Profiles



Illustration	Description	Surface (xxx)
	<p>Track with parking area (KMAT) Art. No. 83132100099</p> <p>Track , fixed length (KMAT) Art. No. 83133100099</p> <p>Track, 6 M Art. No. 831341xxx99</p>	<p>150 = alumin. silver EV 1 350 = traffic white 398 = high weather resistant coated 399 = special powder-coated colour</p>
	<p>Clamping profile, 10 mm glass Art. No. 83133600099 (fixed length)</p> <p>Clamping profile, 12 mm glass Art. No. 83133700099 (fixed length)</p>	<p>No surface</p>
	<p>Cover profile, fixed length Art. No. 831334xxx99</p> <p>Cover profile, 6 M Art. No. 831344xxx99</p>	<p>150 = alumin. silver EV 1 350 = traffic white 398 = high weather resistant coated 399 = special powder-coated colour</p>
	<p>Guide track with parking (KMAT) Art. No. 83132200099</p> <p>Guide track , fixed length (KMAT) Art. No. 83133200099</p> <p>Guide track, 6 M Art. No. 831342xxx99</p>	<p>150 = alumin. silver EV 1 350 = traffic white 398 = high weather resistant coated 399 = special powder-coated colour</p>
	<p>Weather protection profile, fixed length (KMAT) Art. NO. 83133300099</p> <p>Weather protection profile, 6 M Art. No. 831343xxx99</p>	<p>150 = alumin. silver EV 1 350 = traffic white 398 = high weather resistant coated 399 = special powder-coated colour</p>

BSW-G: Track with parking area



1:1

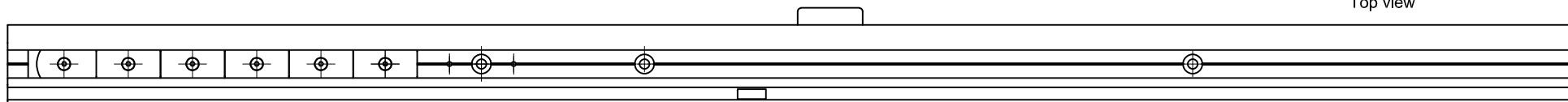
01.2023 / 016654

31-011

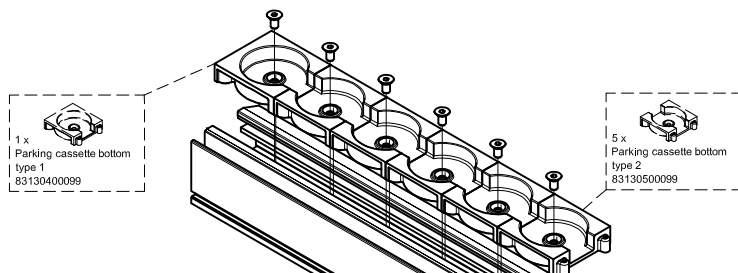
This document is protected by copyright. The content is the property of DORMA-Glas GmbH. All rights reserved.

BSW-G: Guide track with parking area

Top view

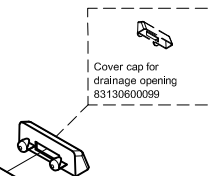


	Surface
Guide rail with parking area 83132200099	150 = alumin. silver EV 1 350 = traffic white 398 = high weather resistant coated 399 = special powder-coated colour



1 x
Parking cassette bottom
type 1
83130400099

5 x
Parking cassette bottom
type 2
83130500099



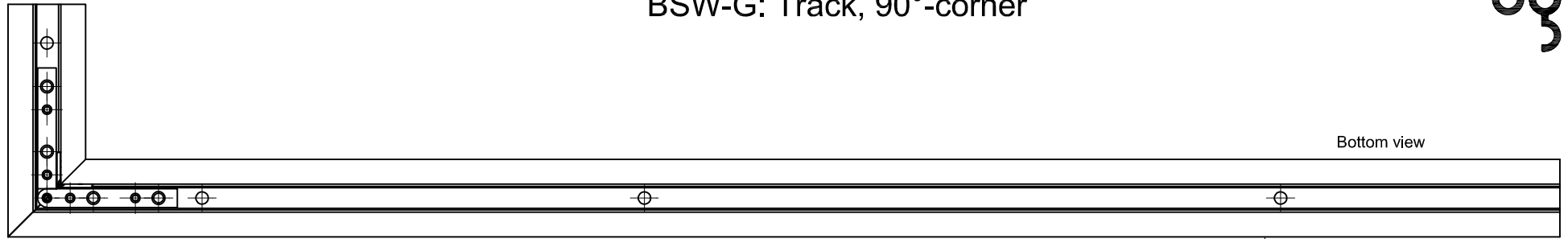
Cover cap for
drainage opening
83130600099

1:1

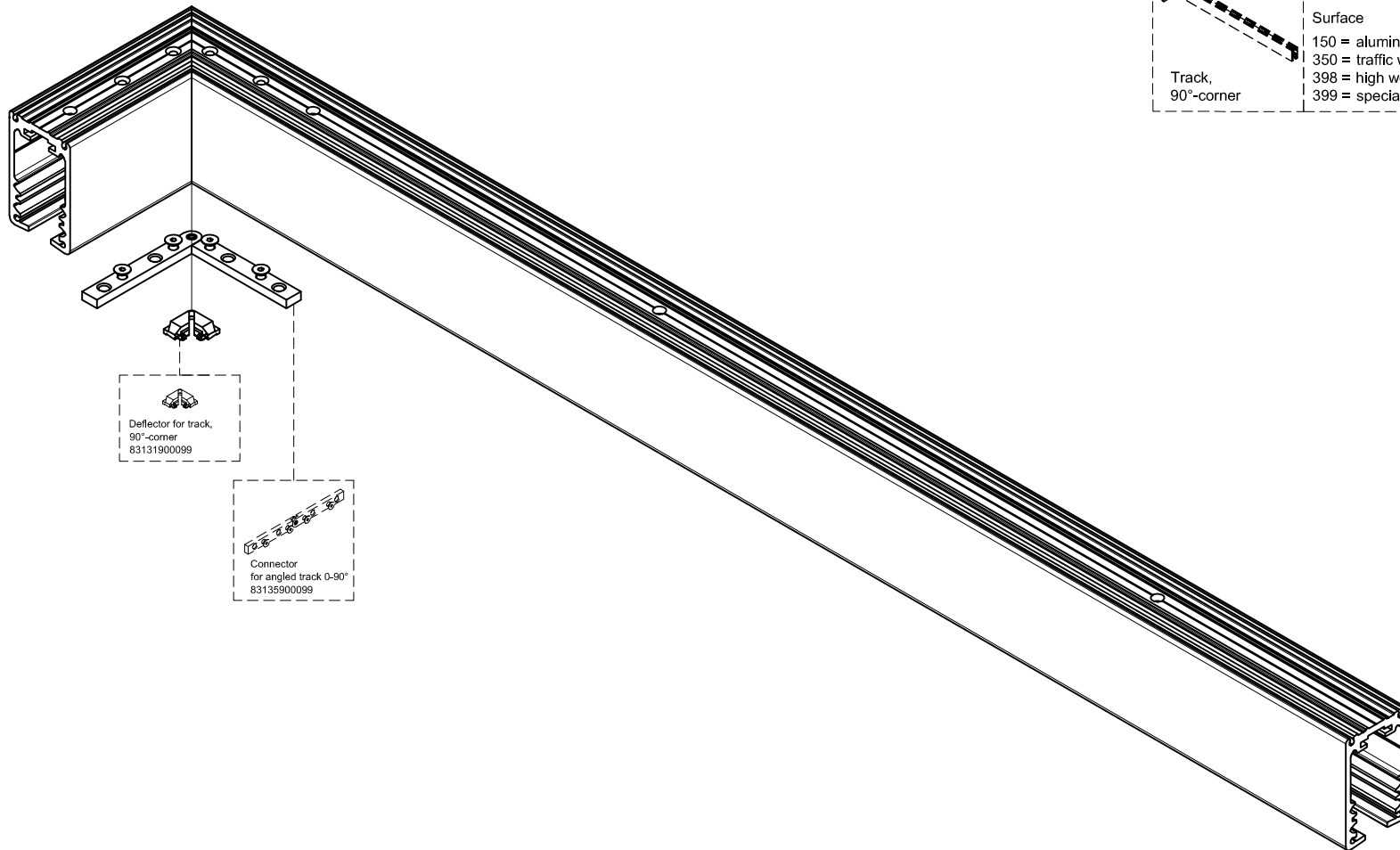
02.2023

31-012

BSW-G: Track, 90°-corner



Bottom view



Track, 90°-corner

Surface	
150	= alumin. silver EV 1
350	= traffic white
398	= high weather resistant coated
399	= special powder-coated colour

Deflector for track,
90°-corner
83131900099

Connector
for angled track 0-90°
83135900099

1:1

01.2023 / 016654

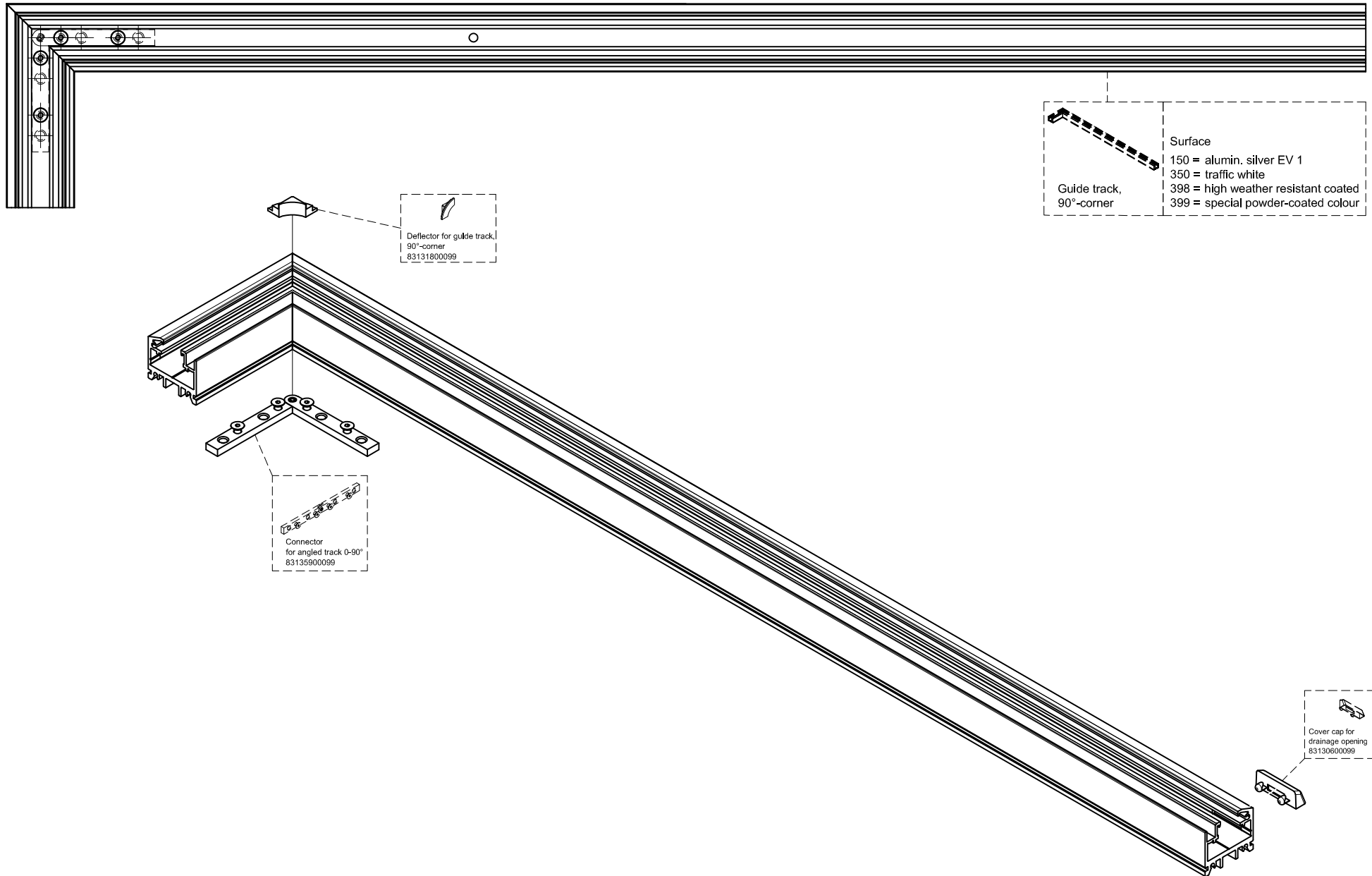
31-013

This document is protected by copyright. The content is the property of DORMA-Glas GmbH. All rights reserved.

BSW-G: Guide track, 90°-corner



Top view

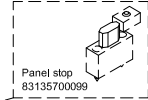
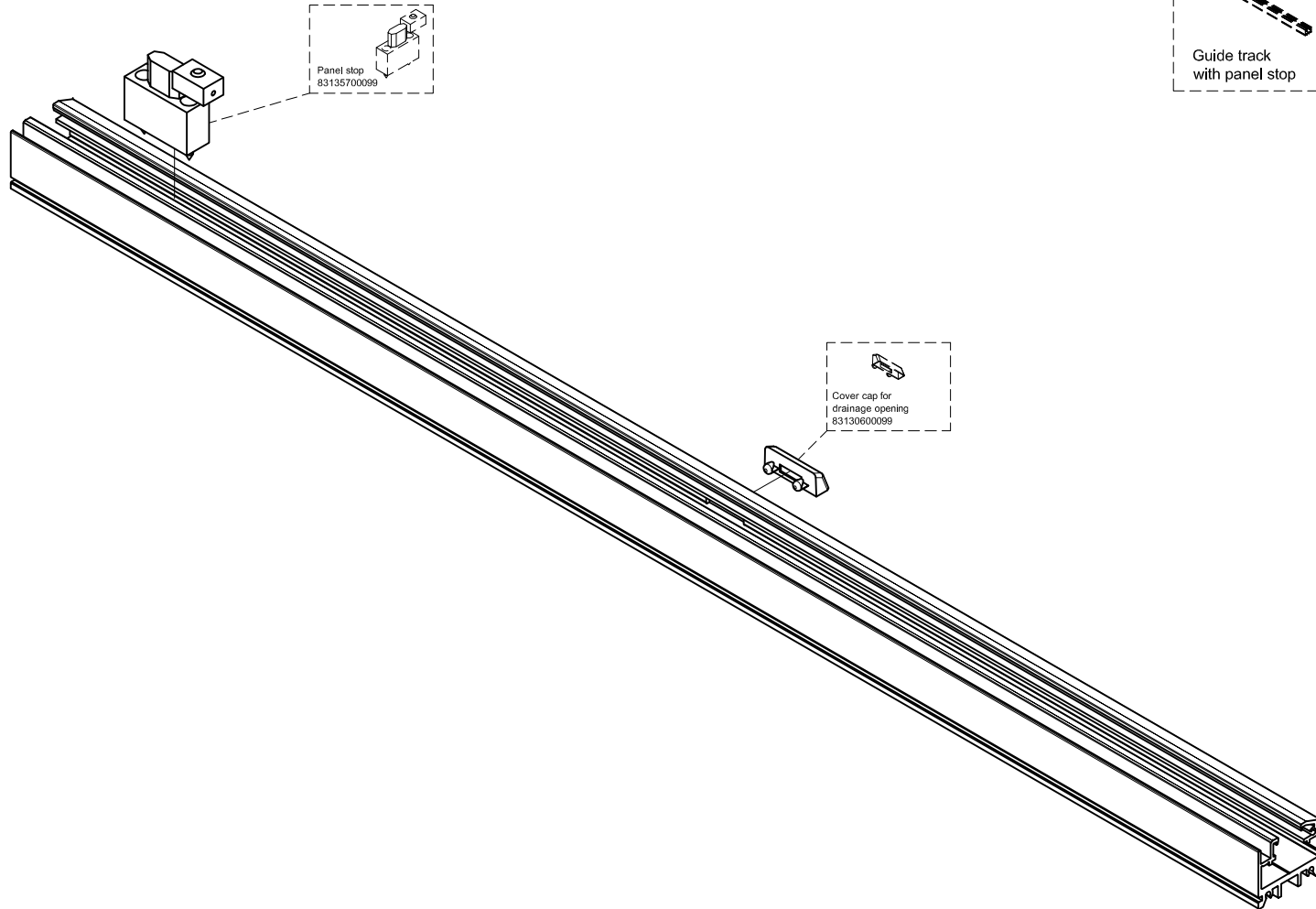



1:1

04.2023 / 016654

31-014

BSW-G: Guide track with panel stop



 Guide track with panel stop	Surface
	150 = alumin. silver EV 1
	350 = traffic white
	398 = high weather resistant coated
	399 = special powder-coated colour

This document is protected by copyright. The content is the property of DORMA-Glas GmbH. All rights reserved.

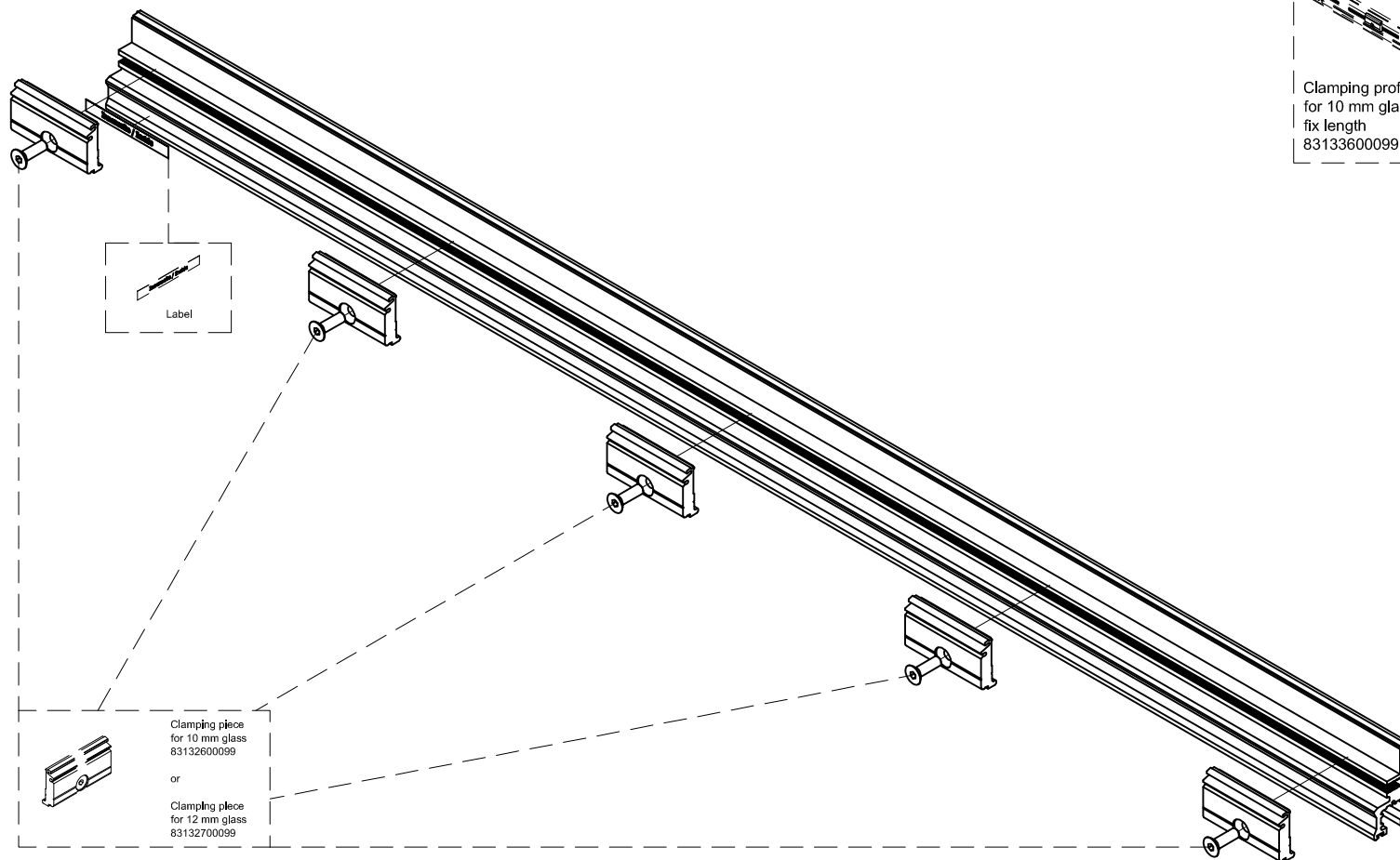
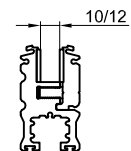
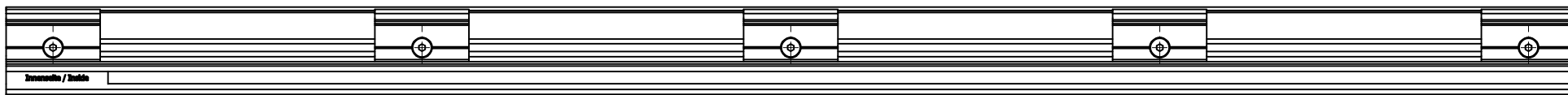
1:1

01.2023 / 016654

31-015

This document is protected by copyright. The content is the property of DORMA-Glas GmbH. All rights reserved.

BSW-G: Clamping profile for sliding panel and fixed panel



Clamping profile,
for 12 mm glass,
fix length
83133700099

Clamping profile,
for 10 mm glass,
fix length
83133600099

Label

Clamping piece
for 10 mm glass
83132600099

or

Clamping piece
for 12 mm glass
83132700099

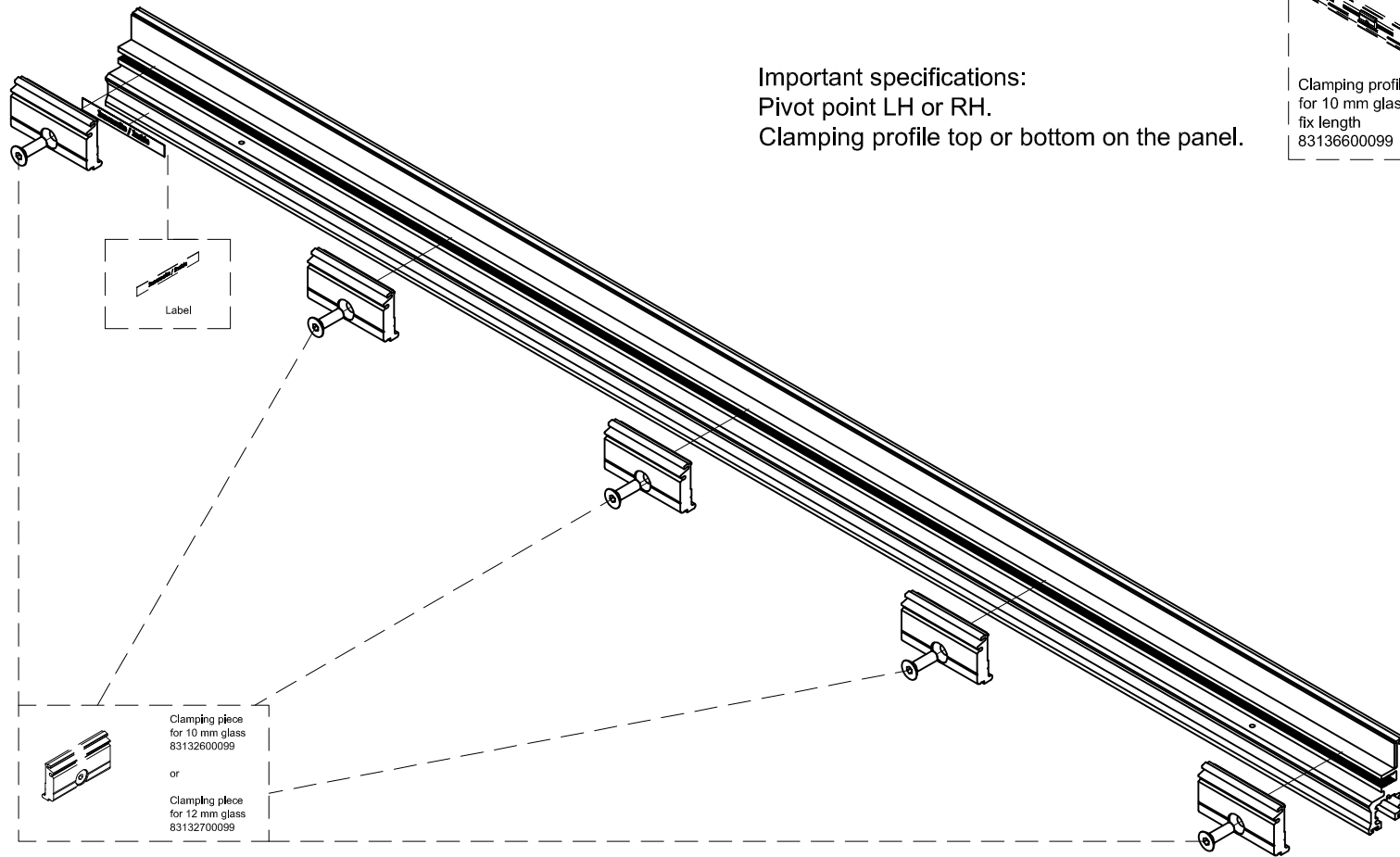
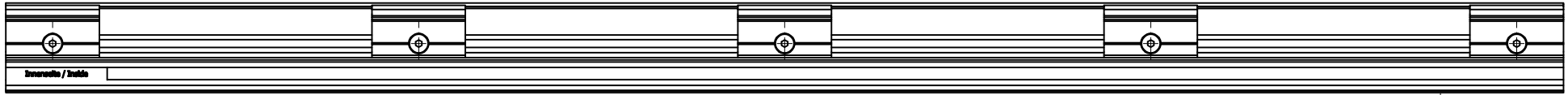
1:1

01.2023 / 16654

31-016

This document is protected by copyright. The content is the property of DORMA-Glas GmbH. All rights reserved.

BSW-G: Clamping profile for single action end panel

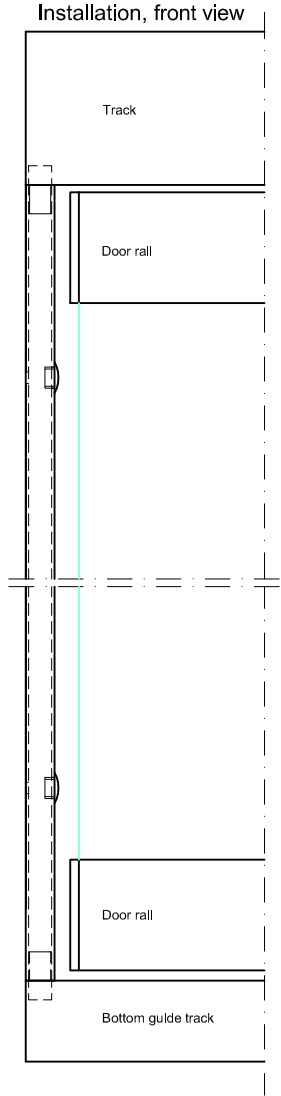
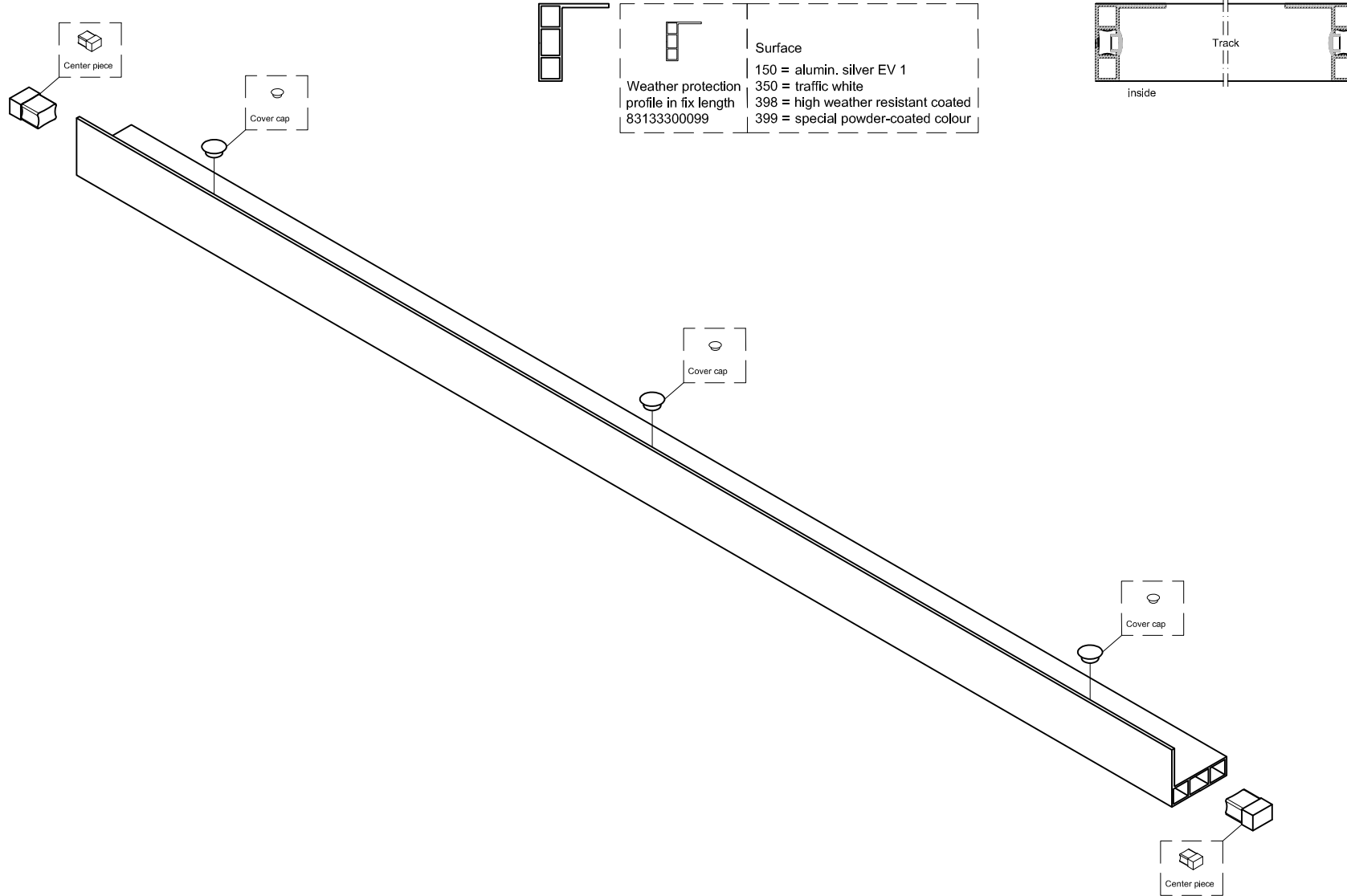


1:1

04.2023 / 016654

31-017

BSW-G Weather protection profile



1:1

03.2023 / 016654

31-018

This document is protected by copyright. The content is the property of DORMA-Glas GmbH. All rights reserved.

BSW-G Accessories for profiles

Track

 Track with parking area 83132100099	 Upper pivot bearing 83135100099	 Parking module 83130700099	 Guide 83130800099	 Guide 83132000099	 Ext. right 83131000099	or	 Ext. left 83130900099
 Track, 90°-corner	 Connector for angled track 0-90° 83135900099	 Deflector for track, 90°-corner 83131900099					

Weather protection profile

 Weather protection profile in fix length 83133300099	 Center piece	 Cover cap
---	------------------	---------------

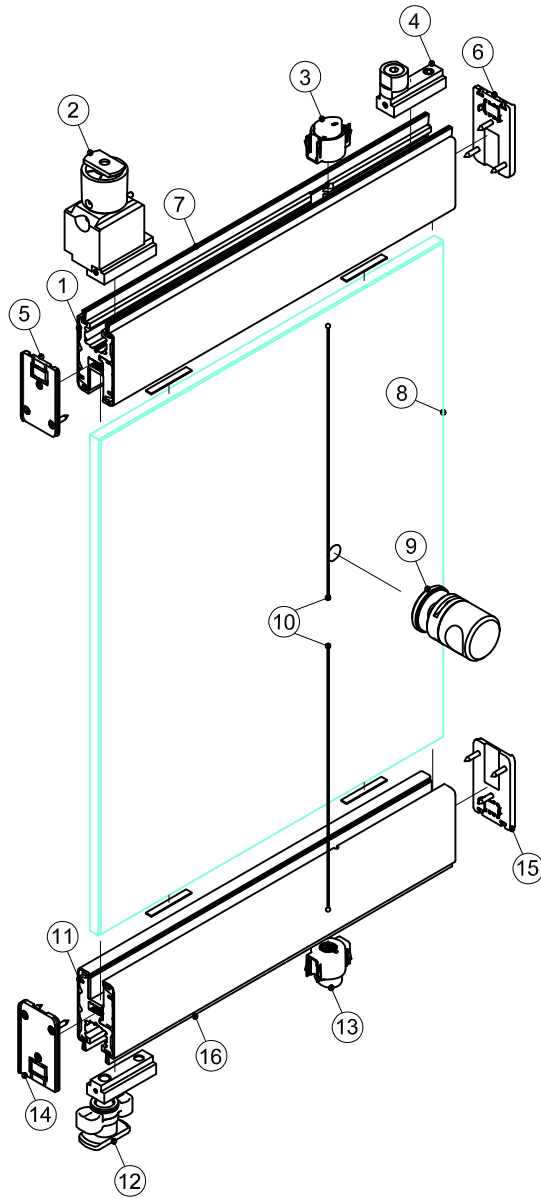
Guide track

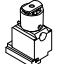





 Guide track with parking area 83132200099	 Parking cassette bottom type 1 83130400099	 Parking cassette bottom type 2 83130500099	 Cover cap for drainage opening 83130600099
 Guide track, 90°-corner	 Connector for angled track 0-90° 83135900099	 Deflector for guide track, 90°-corner 83131800099	 Cover cap for drainage opening 83130600099
 Guide track with panel stop	 Panel stop 83135700099	 Cover cap for drainage opening 83130600099	




Clamping profile (Door rail)






 Clamping profile, for 12 mm glass, fix length 83133700099	or	 Clamping profile, for 10 mm glass, fix length	A = Clamping profile for sliding panel and fixed panel B = Clamping profile for single action end panel
 Clamping profile, for 10 mm glass, fix length 83133600099	A	 Clamping profile, for 10 mm glass, fix length 83133600099	B
		 Clamping piece for 10 mm glass 83132600099	or
		 Clamping piece for 12 mm glass 83132700099	 Label

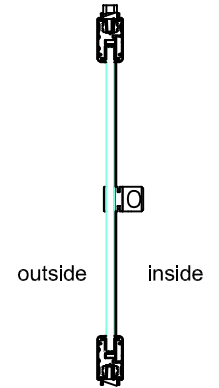
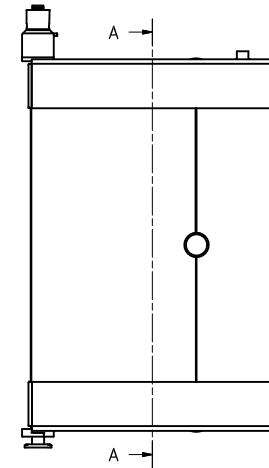
BSW-G Single action end panel, clamped



- ① Clamping profile for 10 or 12 mm glass s/a end panel, and per clamping profile 2 cover profiles for s/a end panel
- ② Upper pivot bearing, 83135100099 
- ③ Locking pin, opening inwards, 83135300099 
- ④ Panel stop, 83135200099 
- ⑤ End cap RH, 83131500099 
- ⑥ End cap RH, 83131500099 
- ⑦ Brush in fix length, 83135500099 

- ⑧ Door glass
- ⑨ Turn knob one-sided, 83132300099 
or
Turn knob double-sided, 83132400099 
- ⑩ Pull cord set for door knob, 83135400099 

- ⑪ Clamping profile for 10 or 12 mm glass s/a end panel, and per clamping profile 2 cover profiles for s/a end panel
- ⑫ Bottom panel guide, 83135000099 
- ⑬ Locking pin, opening inwards, 83135300099 
- ⑭ End cap LH, 83131400099 
- ⑮ End cap LH, 83131400099 
- ⑯ Bruh in fix length, 83135500099 

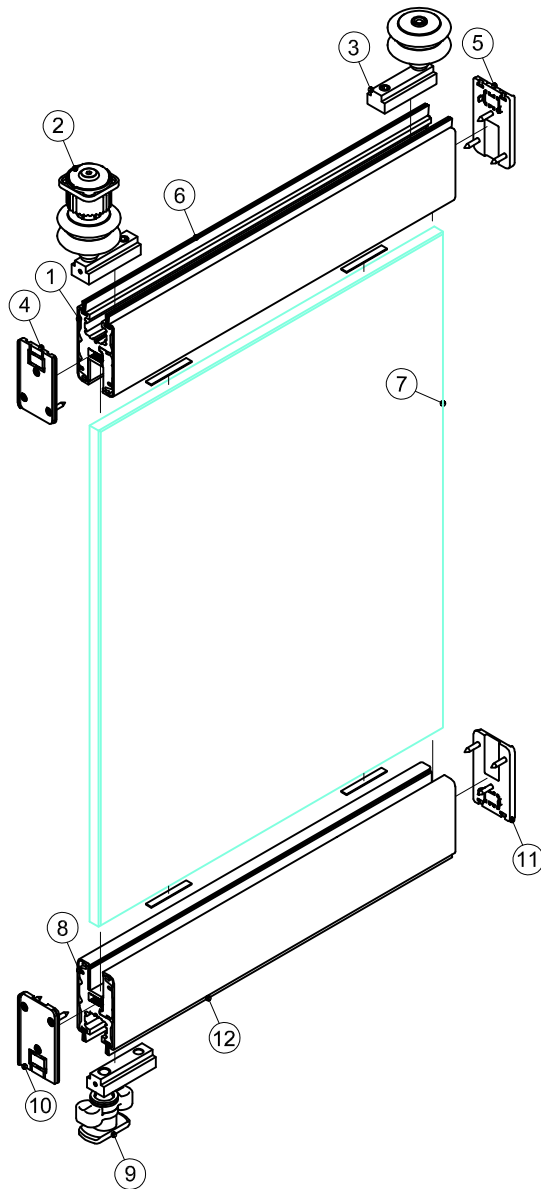


1:5

04.2023 / 016654

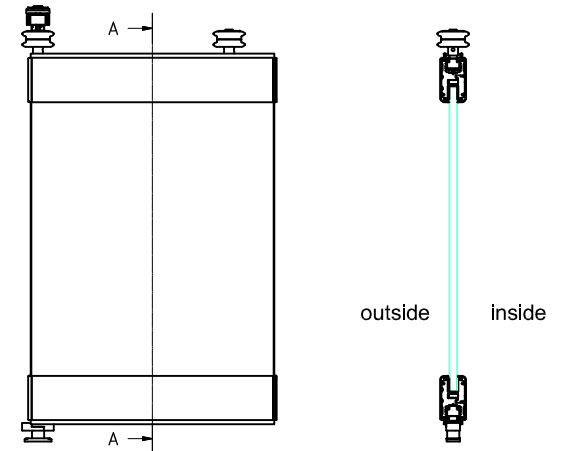
31-020

BSW-G First sliding panel after s/a end panel, clamped



1:5

- ① Clamping profile for 10 or 12 mm glass sliding panel, and 2 cover profiles for sliding panel
- ② Pivot roller carriage, 83132800099
- ③ Swing-out roller carriage 1, 83132900099 or Swing-out roller carriage 2, 83133000099
- ④ End cap RH, 83131500099
- ⑤ End cap RH, 83131500099
- ⑥ Brush in fix length, 83135500099
- ⑦ Sliding panel glass
- ⑧ Clamping profile for 10 or 12 mm glass sliding panel, and 2 cover profiles for sliding panel
- ⑨ Bottom panel guide, 83135000099
- ⑩ End cap LH, 83131400099
- ⑪ End cap LH, 83131400099
- ⑫ Bruh in fix length, 83135500099

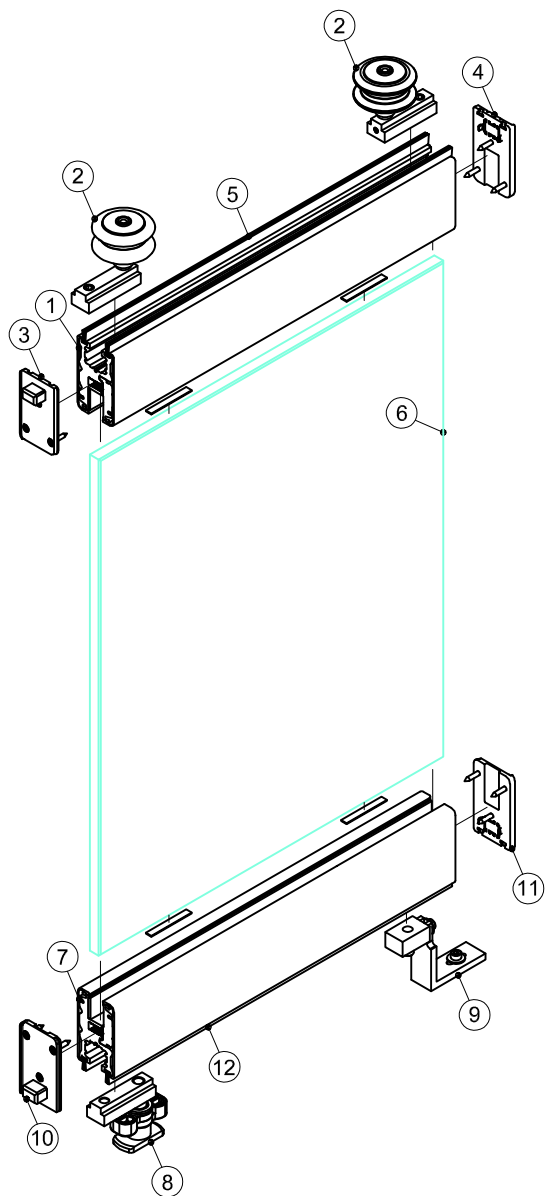


Pleas note:

First sliding panel after s/a end panel:

- ④ End cap RH, 83131500099
- ⑤ End cap RH, 83131500099
- ⑩ End cap LH, 83131400099
- ⑪ End cap LH, 83131400099
- All the following sliding panels differ in the end caps:
(Pivot roller carriage, LH)
- ④ End cap RH, 83131700099
- ⑤ End cap RH, 83131500099
- ⑩ End cap LH, 83131600099
- ⑪ End cap LH, 83131400099
- (Pivot roller carriage, RH)
- ④ End cap LH, 83131600099
- ⑤ End cap LH, 83131400099
- ⑩ End cap RH, 83131700099
- ⑪ End cap RH, 83131500099

BSW-G Fixed panel, clamped



① Clamping profile for 10 or 12 mm glass, type sliding panel, and 2 cover profiles for type sliding panel

② Swing-out roller carriage 1, 83132900099

③ End cap RH, 83131700099

④ End cap RH, 83131500099

⑤ Brush in fix length, 83135500099

⑥ Sliding panel glass

⑦ Clamping profile for 10 or 12 mm glass, type sliding panel, and 2 cover profiles for type sliding panel

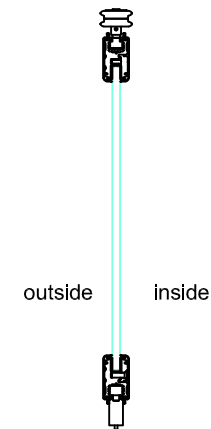
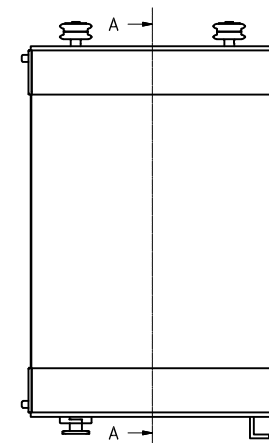
⑧ Bottom panel guide, 83135000099

⑨ Bottom fixing bracket, 83135600099

⑩ End cap LH, 83131600099

⑪ End cap LH, 83131400099

⑫ Brush in fix length, 83135500099



1:5

04.2023 / 016654

31-022

BSW-G Parts

This document is protected by copyright. The content is the property of DORMA-Glas GmbH. All rights reserved.

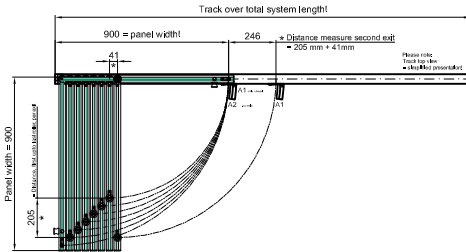
Parking module 83130700099 	Guide 83130800099 	Deflector for 90° corner 83131900099 	Guide 83132000099 	Exit, left 83130900099 	Exit, right 83131000099
Connector for angle 0-90° 83135900099 	Parking cassette type 1 83130400099 	Parking cassette type 2 83130500099 	Deflector for 90° corner 83131800099 	Cover cap for drainage opening 83130600099 	Clamping piece for 10 mm glass 83132600099 Clamping piece for 12 mm glass 83132700099
Upper pivot bearing 83135100099 	Pivot roller carriage 83132800099 	Bottom panel stop 83135200099 	Bottom panel guide 83135000099 	Brush in fixed length 83135500099 	End cap, LH 83131400099
Swing-out roller carriage 1 83132900099 	Swing-out roller carriage 2 83133000099 	Bottom fixing bracket 83135600099 	Panel stop 83135700099 	End cap, LH 83131600099 	End cap, RH 83131500099
				Pull cord set 83135400099 	Locking pin 83135300099
				Turn knob one-sided 83132300099 	Turn knob double-sided 83132400099
				Label 	

1:2

03.2023 / 016654

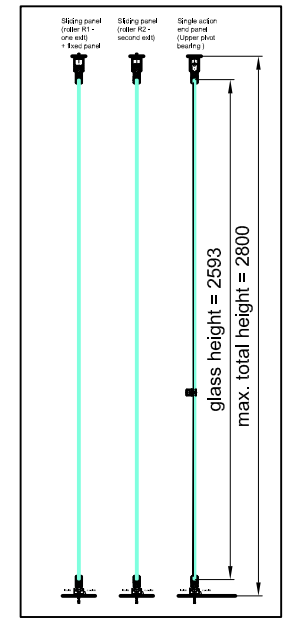
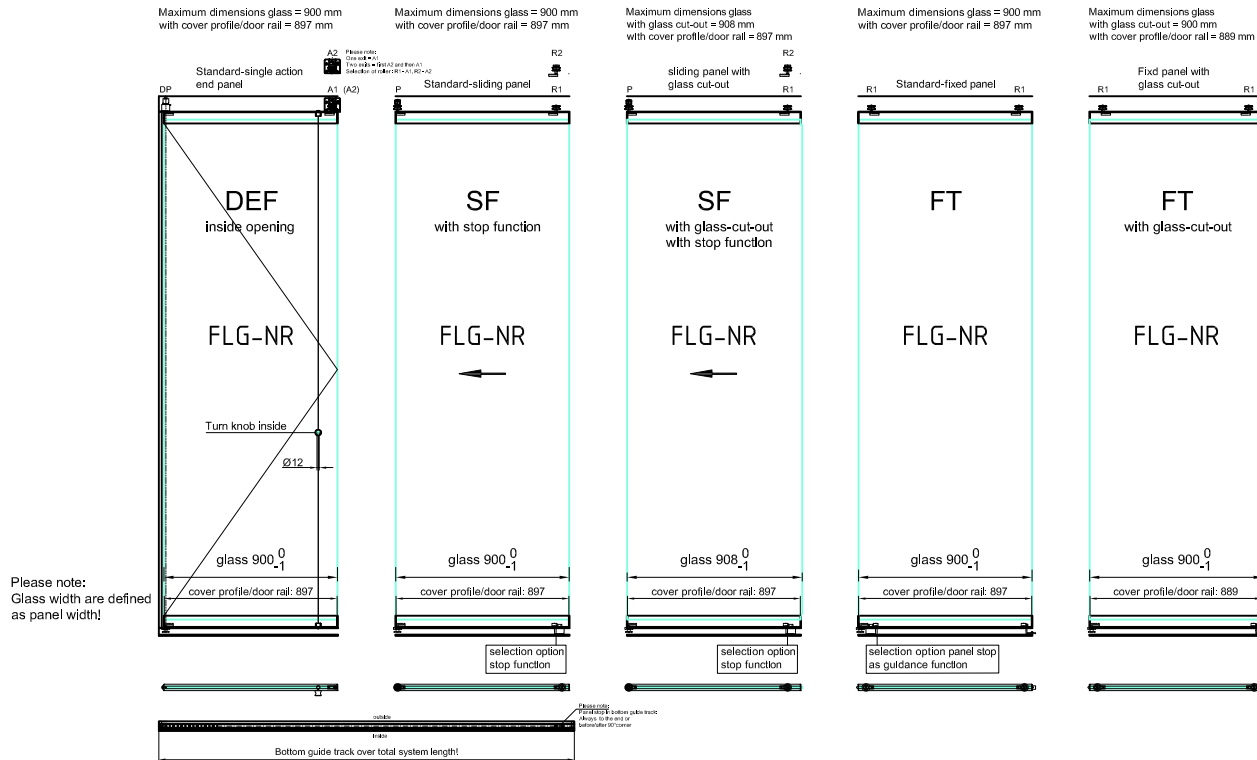
31-030

BSW-G Presentation for manually drawing



- DEF = Single action end panel
- SF = Sliding panel
- FT = Fixed panel

- A1 = Exit 1
- A2 = Exit 2
- DP = Pivot point
- P = Pivot roller carriage
- R1 = Swing-out roller carriage 1
- R2 = Swing-out roller carriage 2



1:10

03.2023 / 016654

31-031