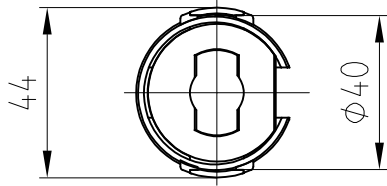


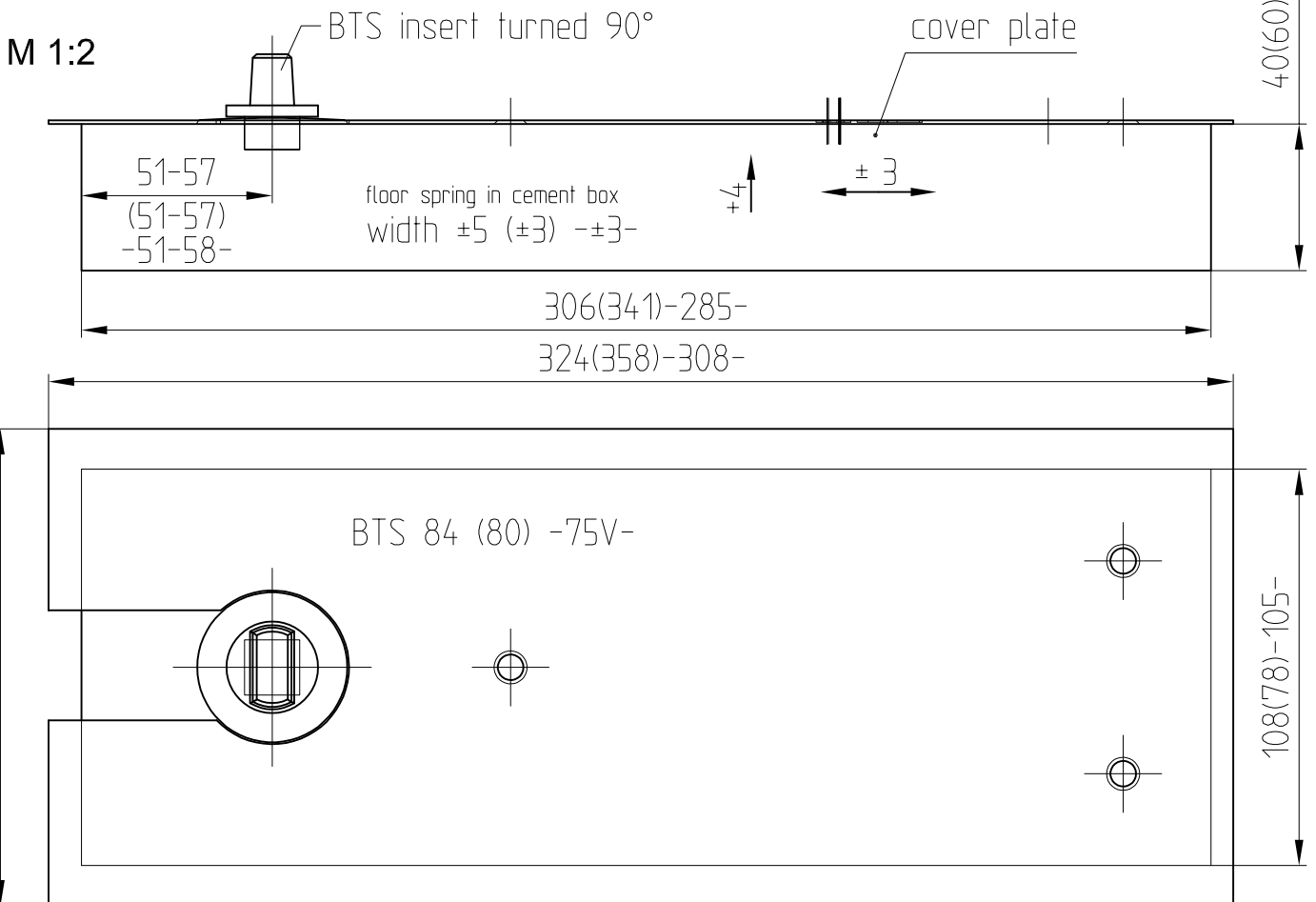
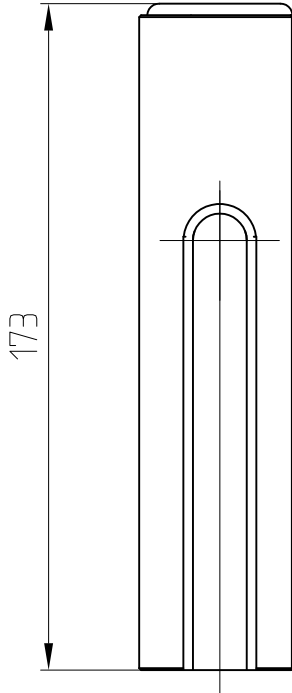
Beyond Pivoting



Bottom pivot fitting with insert
for floor spring spindle
or round pivot

(with top pivot fitting
Art. No. 30.100 for 10 mm glass
Art. No. 30.101 for 12 mm glass)

with floor spring (BTS)



1:1

07.2022 / 016627

30-010